

AIPHONE

IP color video intercom adaptor **JKW-IP**

Innovative Network-based IP Video Door
Entry Security Management.



JKW-IP



JK Door Station

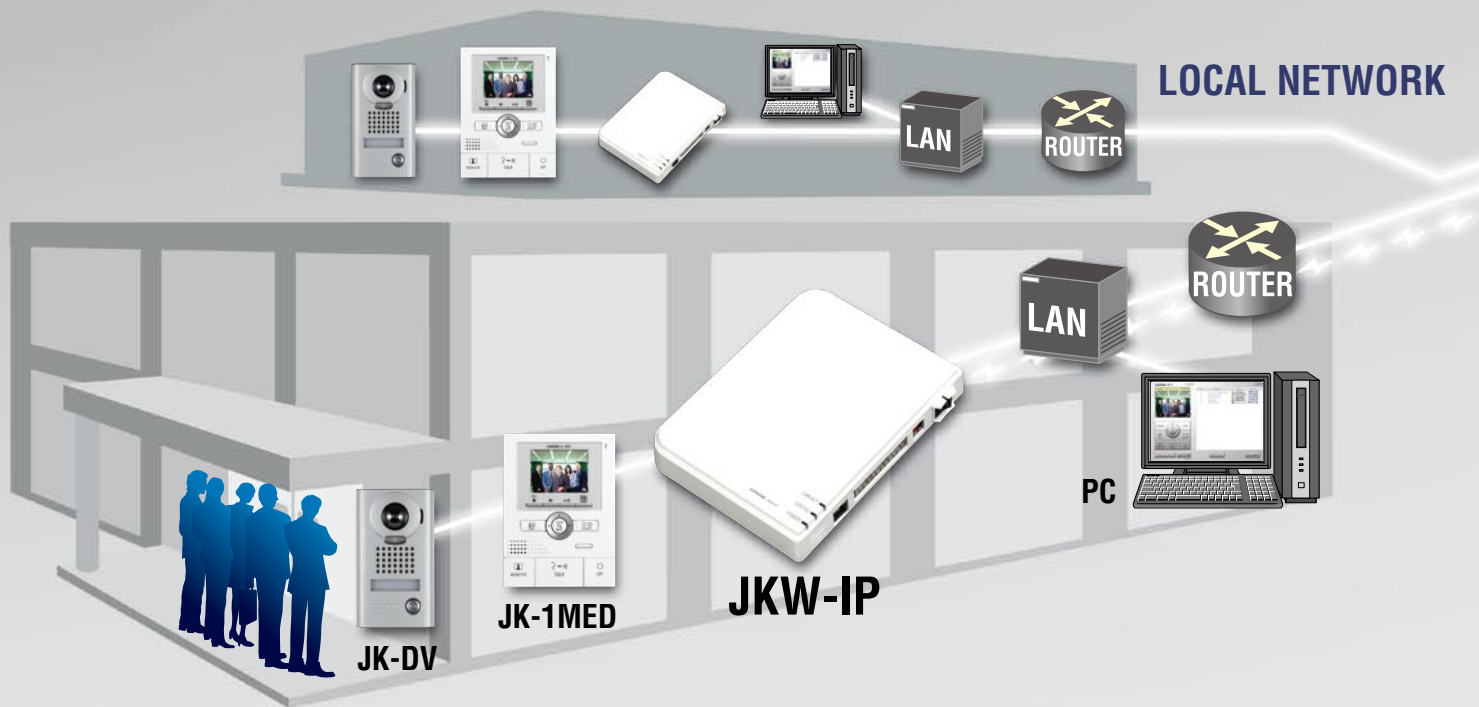


JK Master Station

JKW-IP JK Door Station JK Master Station

Turn Your PC into a Video Door Entry

The JKW-IP provides you with sophisticated network-based IP video intercom solutions. It comes with software for you to use your network-connected PC as the master unit of the JK Series, giving you the opportunity to improve your door entry security management. Answer your door from any network location.



What makes the JKW-IP so special?

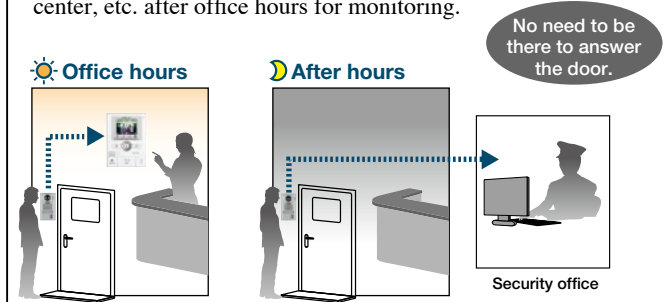
The JKW-IP allows you to manage your door entry security via a LAN/WAN gives you the freedom to choose your security system.

- Combine 20 JK Series and 10 PCs per system.
- Sends e-mails to a maximum of 10 addresses whenever a door call or sensor detection is

Usage Example

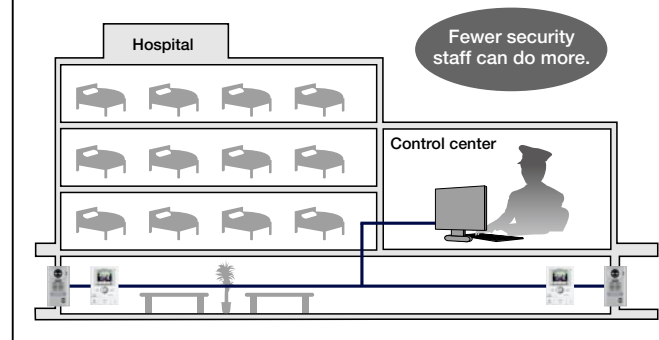
For offices, factories, schools, etc.

Answer visitors at the receptionist desk during office hours. Use your PC at home, in a security office, at a management center, etc. after office hours for monitoring.



For hospitals, commercial buildings, etc.

Manage multiple entrances at one control center.



ry Security Solution!

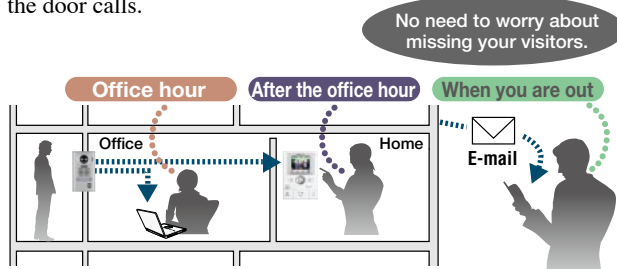


network and

activated.

For small office, home office

Answer visitors at a desk using a PC during office hours and at home using the JK master station after hours. If you are away, you still get e-mail updates with the visitor's image whenever the door calls.



Improves security efficiency.

Door security can be controlled with the JK Series advanced door entry system 24 hours a day from anywhere with a network.

Lowers cost for security.

It requires minimum manpower to complete 24-hour door security, or no additional Master Stations to expand the network system. Complicated wiring construction is not required either.

Your PC can be used as the JK master station.

Controlling our PC as the JK master unit is easy. You can use it like the JK master station with all of the available functions.

See the next page for details.

Install the software on your PC. Now you

Does using the PC as a JK master unit sound difficult to operate?

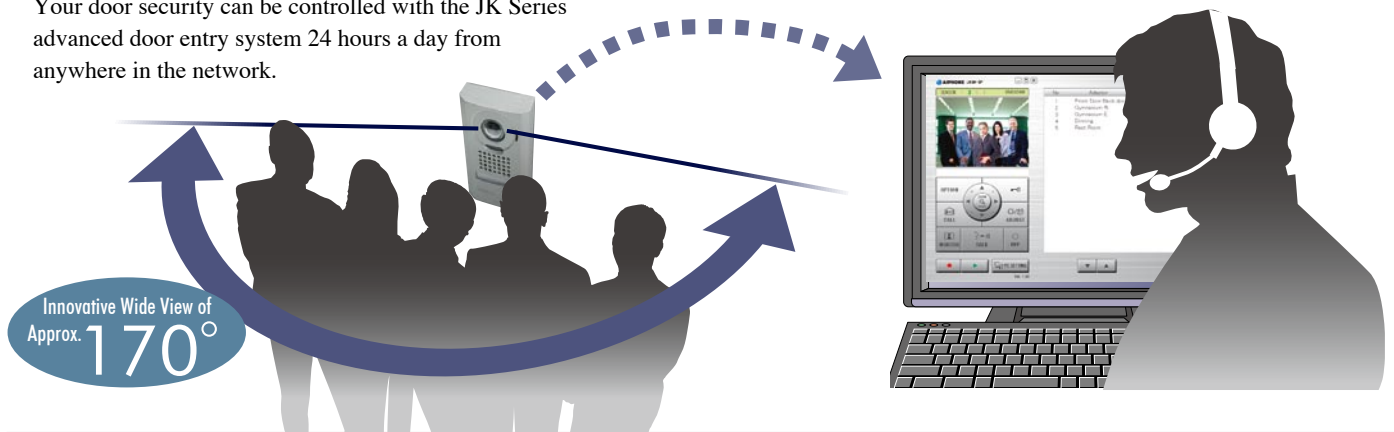
It is designed to function like the JK master station.



All functions can be done through the network!

Identifying & Answering visitors

Your door security can be controlled with the JK Series advanced door entry system 24 hours a day from anywhere in the network.



can use it as a JK Master Unit!

Controlling Wide and Zoom & PanTilt

Take advantage of the JK Series advanced features using a PC!

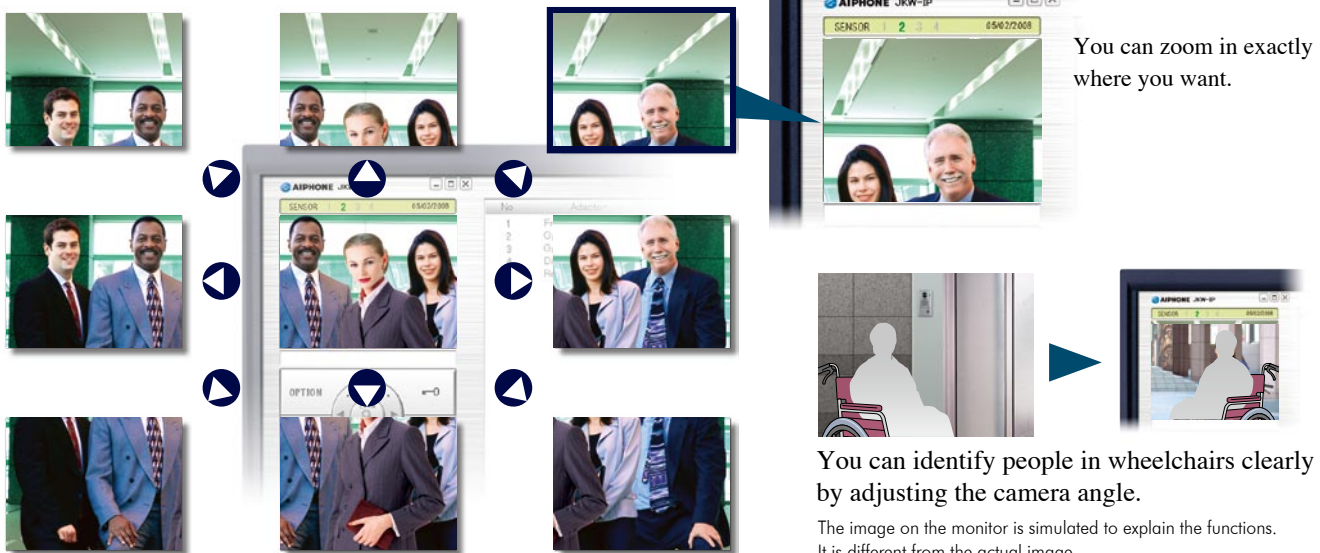
Zoom

To see the details, switch the picture mode to Zoom mode. Switching between Wide and Zoom mode can easily be done by the click of a button.



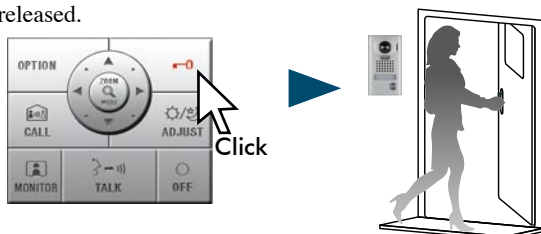
PanTilt

Click the PAN/TILT button to change the camera angle in Zoom mode.



Releasing the door lock

If the visitor is permitted entry, release the door lock. The door release button turns red to clearly identify the door lock has been released.



Recording and Playing video & audio

The PC software records video and audio of the entryway where the video intercom system is connected to the JKW-IP and can be played on the PC.

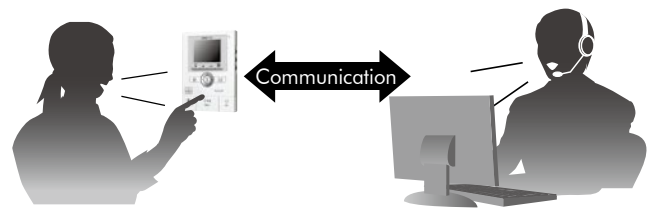
Available in 2 modes:

Auto recording starts recording whenever a call is received from the door station.

Manual recording starts recording video or snapshot when you click the Rec button.

Room to room communication

You can make mutual calls between the PC software and the JK Master Monitor Station.



Adjusting image

Monitors can be adjusted for low light and nighttime settings, as well as bright and heavy backlight.

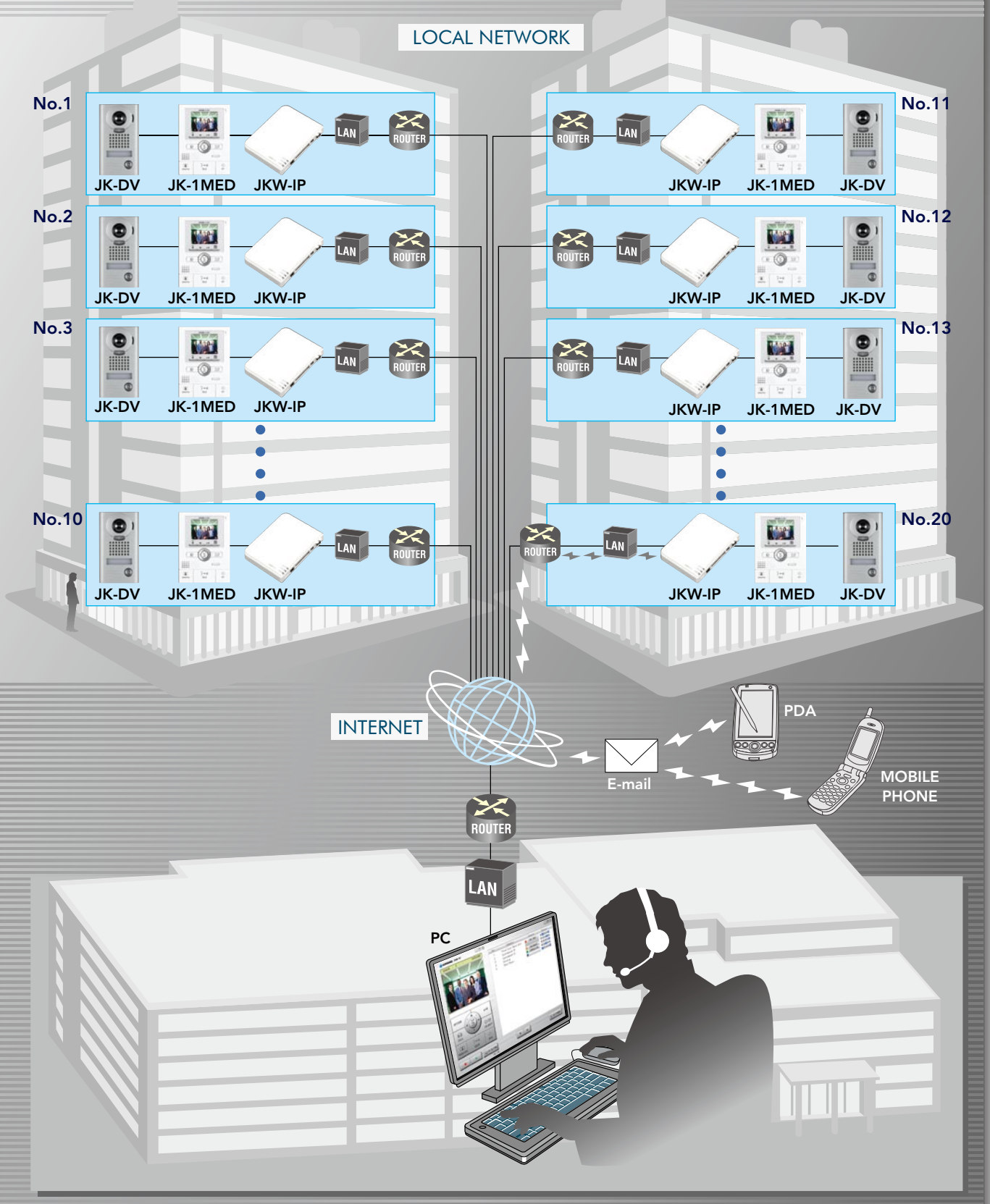
Getting e-mail to your PC, PDA, or mobile phone

Whenever a door call, sensor detection, or system start up occurs, the JKW-IP sends an e-mail to your preset addresses.

System Configuration I

For centralized management of multiple entrances using PC(s)

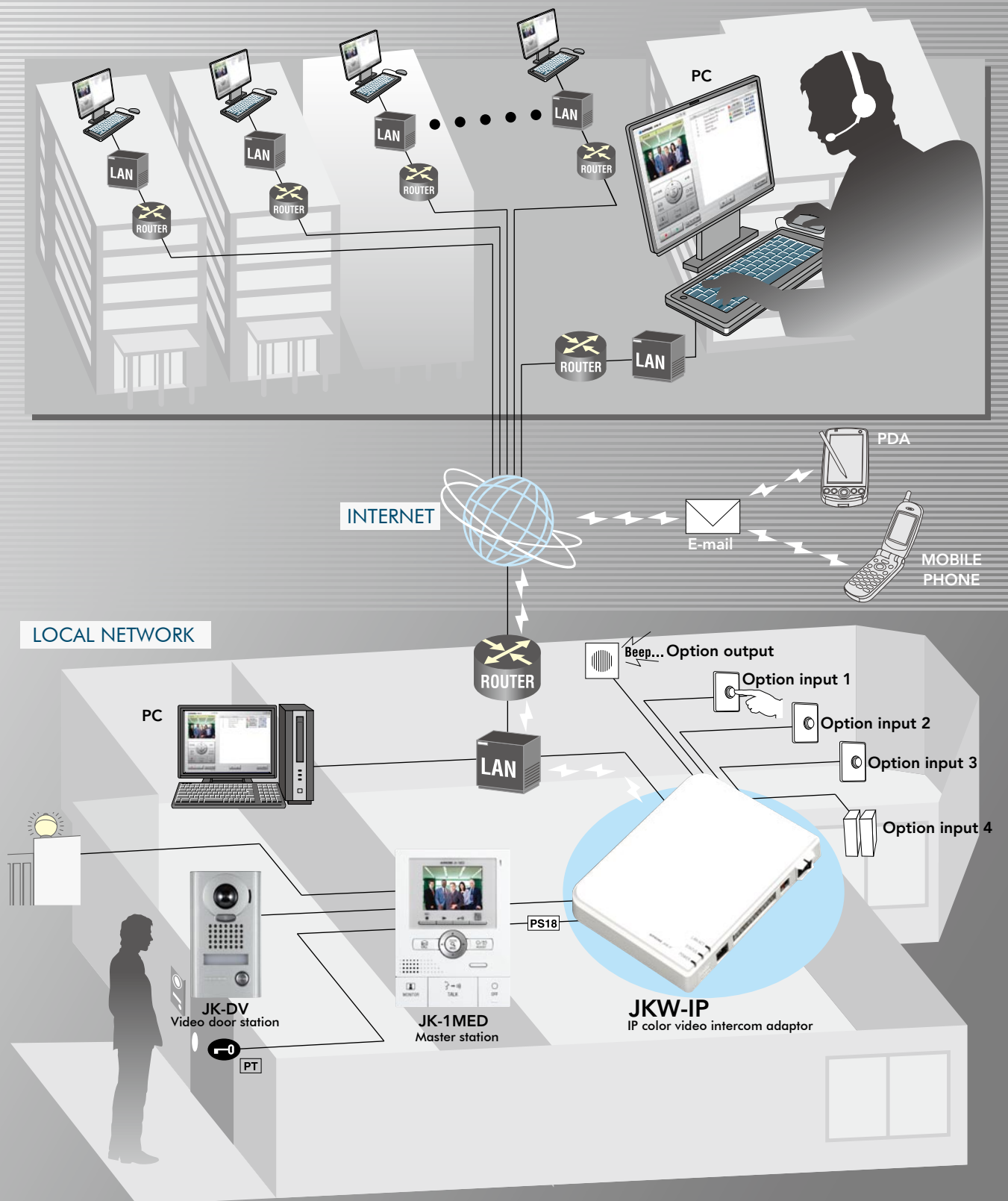
DOOR 20 MASTER 20-1 PC 1



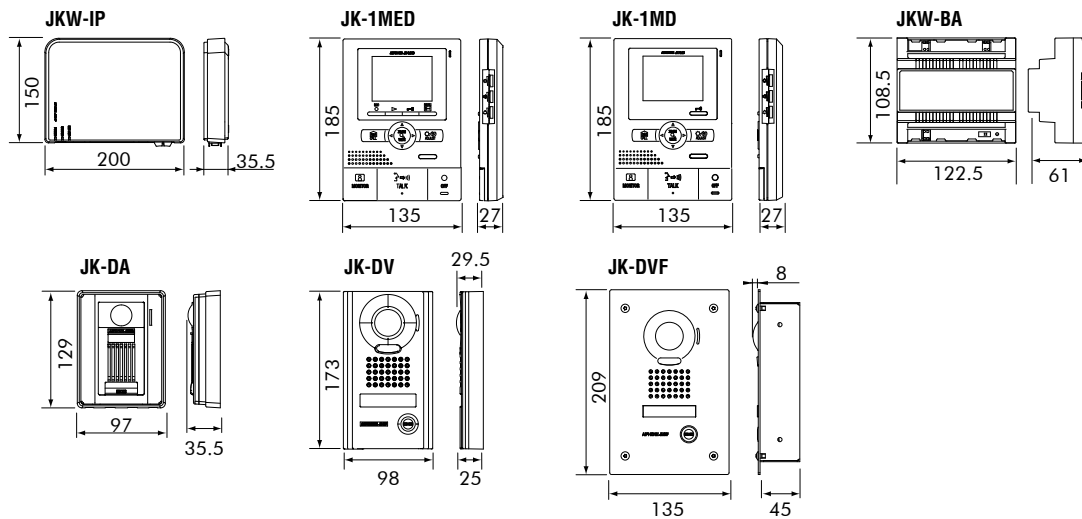
System Configuration II

For distributed management of a specific entrance using multiple PCs

DOOR	MASTER	PC
1	1	10



UNIT DIMENSIONS (mm)



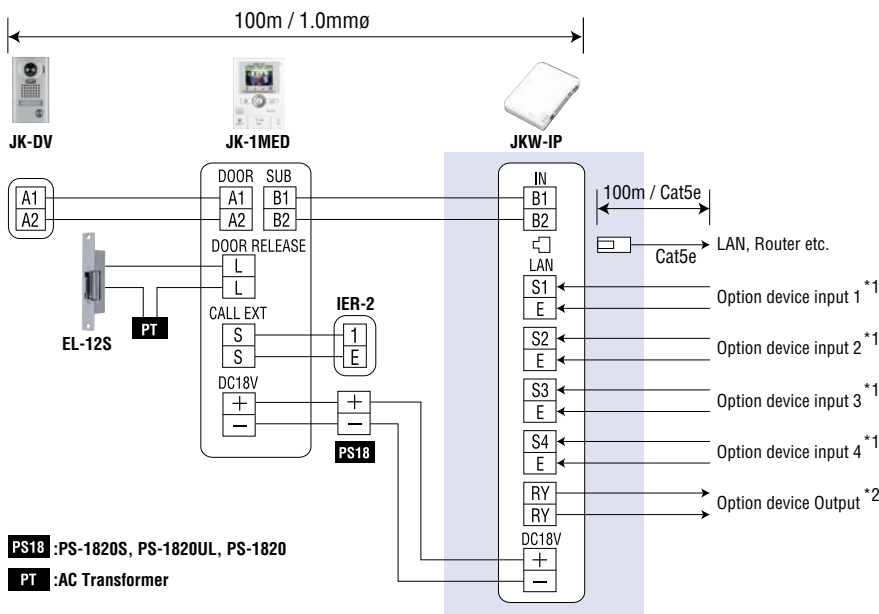
SPECIFICATIONS

Power source	18V DC
Power supply	PS-1820S, PS-1820UL, PS-1820
Consumption	Max. 200mA
OS	Windows XP Home/Professional(SP3)/Windows Vista Ultimate/Home/Business/Enterprise(SP1)
PC System Configuration	Processor: 2GHz or more, System memory: 1GB RAM or more, Hard disk drive: 10MB or more (Separate space for movie recording will also be required), Sound card: 8-bit full duplex, Direct Sound compatible, Display: 1024 x 768 or higher, Runtime: Microsoft®.NET Framework 2.0 or later, Network: 10 BASE-T/100 BASE-TX Ethernet
Protocol	TCP/IPv4, UDP/IPv4, SIP, etc
Network bandwidth	320k~8Mbps (per JKW-IP)
Language	English, French, Spanish, German, Dutch, Italian, Japanese

NOTICE

- It may not be possible to use this product with certain network environments or PCs.
- To use this product via the Internet, a separate broadband connection and a router with a fixed IP address is required.
- To ensure proper function, only use with approved routers. Refer to our home page for a list of approved routers which allow proper operations.
- Maintaining security at the computer(s) connected to the JKW-IP is the responsibility of the customer. Aiphone assumes no responsibility for any losses incurred as a result of improper PC, firewall or other security.
- It is recommended that you use a 100BASE-TX wired LAN as the network.

WIRING



*1 Option device input specifications

Input method	N/O or N/C dry closure contact (Start signal only detection method)
Detection confirmation time	100 ms or more
Contact resistance	During N/O dry closure: 700 Ω or less During N/C dry closure: 3K Ω or more
Terminal short current	10 mA or less
Voltage between terminals	20V or less (when open between terminals)

*2 Option device input specifications

Output method	N/O dry closure contact
Voltage between terminals	AC24V 0.5A (resistive load) DC24V 0.5A (resistive load) Minimum overload: DC 100mV, 0.1mA

Hands-free communication is activated by automatic voice switching circuitry, which may cause intermittent audio by the environmental noise level of either inside stations.

The image on the monitor is simulated to explain the functions. It is different from the actual image.

Distributed by :



Deming Medal



ISO 9001 Certified
JQA-0291
AIPHONE CO., LTD.



ISO 14001 Certified
JQA-EM0453
Headquarters section
Toyota Factory
Taiho Site
AIPHONE CO., LTD.

AIPHONE[®]
Providing Peace of Mind

<http://www.aiphone.net/>

JKW-IP(E)0310A

All rights reserved. All statements valid at time of printing. The design and specifications are subject to change without notice for improvement.

Printed in Japan
QA52014AYZ