



NILES®



CM760DSSi

7" DIRECTED SOUNDFIELD

CEILING MOUNT LOUDSPEAKER



7" Directed Soundfield Stereo Input Loudspeaker with Pivoting Woofer and Tweeter

- 7" Interlaced Glass Fiber Dual Voice Coil Woofer
- Dual 1" Teteron® Tweeters

SPECIFICATIONS SHEET

7 INCH DIRECTED SOUNDFIELD STEREO INPUT CEILING MOUNT LOUSPEAKER

7" Directed Soundfield Stereo Input Loudspeaker with Pivoting Woofer and Tweeter

CM760DSSi

Stock Number

FG01310



Features

- Fully pivoting, patented woofer assembly focuses the bass and midrange tones directly into the listening area (pivots up to 20°)
- Twist & Lock™ baffle and frame mechanism facilitates quick installation and trouble-free upgrades
- Integrated woofer/baffle design delivers greater low frequency response by employing a 7" woofer where competitive models of the same outer size employ 6 1/2" woofers
- Interlaced glass fiber dual voice coil woofer reproduces left and right channel inputs from a single speaker
- Butyl rubber cone surround damps resonance and provides exceptional durability
- Dual 1" pivoting fluid-cooled Teteron® dome tweeters offer ultra-wide dispersion and silky-smooth high-frequency response
- Bridge-mounted stereo imaging (Si) tweeter array directs the high-frequency sounds from both the left and right channels at opposing angles to preserve stereo separation
- Includes flush-mount MicroPerf™ aluminum grille for a clean and unobtrusive look
- 2 dialog enhance and 2 position tweeter level controls provide for precise matching to room acoustics

Specifications

- Frequency Response: 49Hz to 21kHz +/-3dB
- Impedance: 8 ohm nominal; 6 ohm minimum
- Recommended Amplifier Power: 10 to 150 Watts
- Frame Dimensions: 11 inches
- Hole cutout dimensions: 9 3/4 inches
- Depth behind ceiling: 5 7/8 inches

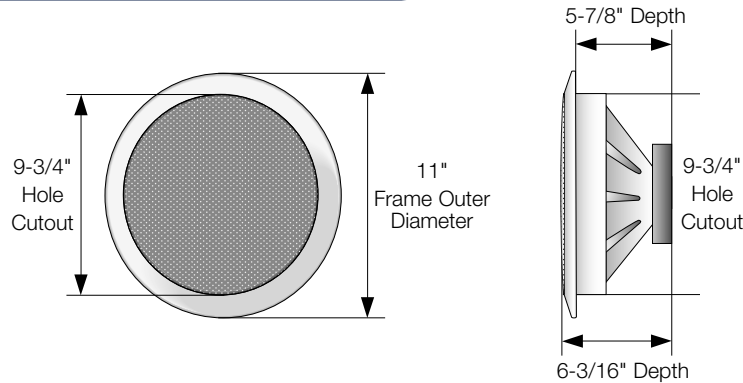
Warranty: Lifetime limited


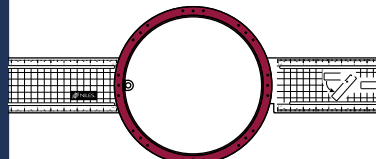


US Patent: 6,683,963



CES Innovations Design & Engineering Award

PRODUCT CONSTRUCTION AND ACCESSORIES



Loudspeaker Model		Works With			
Model	Stock Number	Previous Bracket	New Bracket	Metal Enclosure	Hole Cover
CM760DSSi	FG01310	 DS8 Series Bracket Kit FG01053	 CM700DS BKT FG01357	 CM700 DSCE FG01397	 CM700DS Hole Cover FG01318