



NILES®



CM953

9" CEILING MOUNT LOUDSPEAKER



9" Ultimate Three-Way Ceiling Mount Loudspeaker with Pivoting Midrange/Tweeter Pod

- 9" TCC™ (Talc, Carbon, and Ceramic-Filled) Woofer
- 1" Teteron® Tweeter
- 1-1/2" Teteron® Dome Midrange

SPECIFICATIONS SHEET

9 INCH CEILING MOUNT LOUDSPEAKER

9" Three-way Ceiling Mounted Loudspeaker

CM953

Stock Number

FG01319



Features

- Integrated woofer/baffle design delivers greater low frequency response by employing a 9" woofer where competitive models employ 8-inch woofers
- Twist & Lock™ baffle and frame mechanism facilitates quick installation and trouble-free upgrades
- Injection-molded TCC™ (Talc, Carbon, and Ceramic-filled) cone is extremely rigid to reduce breakup, lower distortion and provide enhanced bass response
- Butyl rubber surround damps resonance and provides exceptional durability
- 1" fluid-cooled Teteron® dome tweeter offers ultra-wide dispersion and silky-smooth high-frequency response
- 1 1/2" fluid-cooled Teteron® dome midrange offers smooth detailed midrange
- Proprietary bridge-mounted midrange/tweeter-adjustment mechanism focuses the mid and high frequency sound in any direction without diffraction
- Includes flush-mount MicroPerf™ aluminum grille for a clean and unobtrusive look
- 2 position presence, 3 position tweeter and switchable boundary compensation controls provide for precise matching to room acoustics

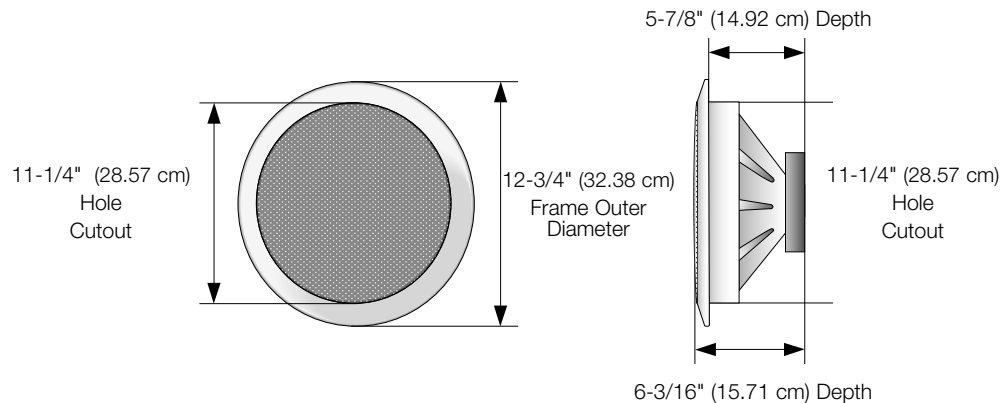
Specifications



- Frequency Response: 44Hz to 22kHz +/-3dB
- Impedance: 8 ohm nominal; 6 ohm minimum
- Recommended Amplifier Power: 10 to 200 Watts
- Frame Dimensions: 12 3/4 inches (32.38 cm)
- Hole cutout dimensions: 11 1/4 inches (28.57 cm)
- Depth behind ceiling: 6 5/8 inches (16.82 cm)

Warranty: Lifetime Limited



PRODUCT CONSTRUCTION AND ACCESSORIES



Loudspeaker Model		Works With	
Model	Stock Number	New Bracket	Hole Cover
CM953	FG01319	 <p>CM900 BKT FG01358</p>	 <p>CM900 Hole Cover FG01325</p>