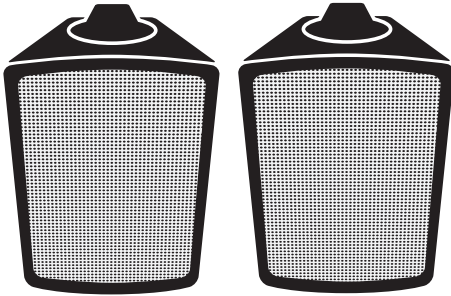


# CLIPSAL<sup>®</sup> speakers by KRIX<sup>®</sup>



## aquatix<sup>®</sup>

2x enclosed audio loudspeakers  
**5600K06**

### Installation Instructions

#### aquatix - specifications

5600K06-WE aquatix speakers, outdoor pair, white

5600K06-BK aquatix speakers, outdoor pair, black

Frequency Range:	70Hz - 20kHz in room response
Power Handling:	Maximum 80 Watts RMS amplifier power
Sensitivity:	87dB for 2.83 volts at 1 metre
Impedance:	Nominally 8 ohms
Dimensions:	250mm (11") high x 185mm (7-1/2") wide x 190mm deep
Mounting	U-bracket
Weight:	2.5kg each (5.5 lb), including bracket

#### Instructions

Mounting the speakers up high and angled down slightly can improve the sound coverage. Mounting the speakers on a solid surface can increase the bass. Although the speakers are weatherproof, protecting them from the elements will extend their useful life.

The supplied U-brackets are designed for a load of no more than 5kg. Mounting the brackets on solid wood or masonry is advisable. Select wall anchors or screws that are appropriate for the desired mounting surface and speaker weight. Use two screw anchors for each U-bracket assembly. Use stainless steel screws for outdoor locations.

When using the key hole cutouts on the brackets, you must use screws and make sure that the screws are tightened to hold the bracket firmly in place.

Specifications and instructions are supplied for general information only and may change without notice. There are no user serviceable parts. If you require further assistance please contact Clipsal Technical Support. Designed and engineered by Krix Loudspeakers Pty Ltd. Manufactured in China.

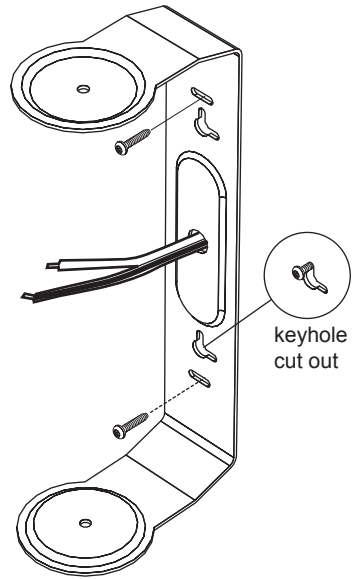
## Installing the U-Bracket

Mark the mounting hole locations and install the anchoring hardware as required.

Pass the speaker wire through the hole in the centre of the U-bracket before attaching the U-bracket to the wall.

Fasten the U-bracket securely to the mounting surface with screw type fasteners. Do not use nails. If you are using the keyhole cut outs, make sure that the screws are tightened so that the U-bracket cannot move.

Use stainless steel mounting screws in outdoor locations.



## Attaching the Enclosure to the U-bracket

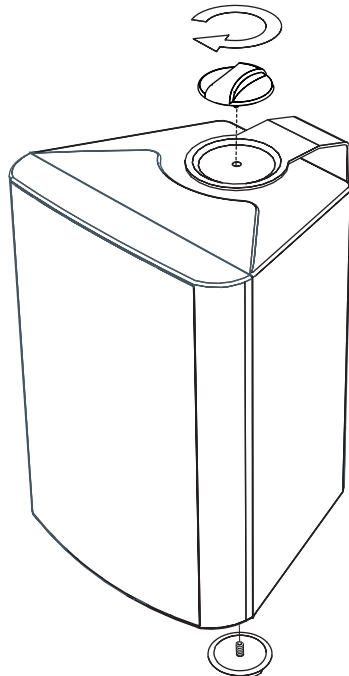
Make sure you have both retaining pieces ready when installing the enclosure in the U-bracket. To prevent damage to the enclosure or wires, do not leave the enclosure unattended in the U-bracket until you have secured both ends.

Install the top retaining piece. Screw the threaded part into the enclosure. Then install the retaining piece at the bottom. Make sure that the enclosure and the U-bracket are held firmly on the mounting surface. If the unit is loose, make adjustments to the mounting hardware.

After installation is done, you will tighten the retaining pieces to lock the enclosures and keep them from moving.

### CAUTION

Do not use any tools to tighten the retaining pieces. Finger tighten only.



## Connecting the Speaker Wires

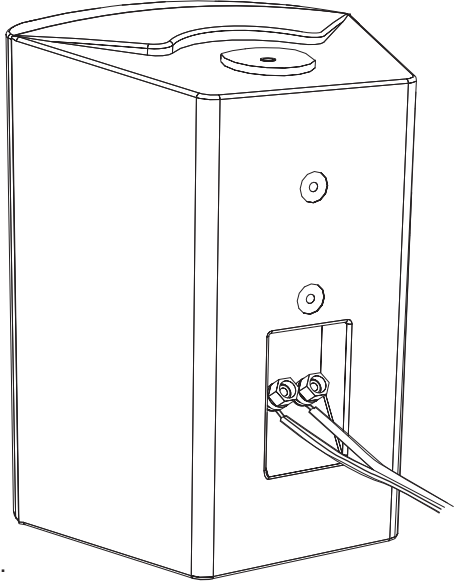
The screw type binding posts are located at the back of the speaker enclosures. Before hooking up the wires, remove approximately 10mm of insulation.

It is important to hook up the speaker wires from the amplifier with the correct polarity.

Connect the positive (+) speaker wire to the red (positive) terminal at the back of the speaker enclosure.

Connect the negative (-) speaker wire to the black (negative) terminal at the back of the speaker enclosure.

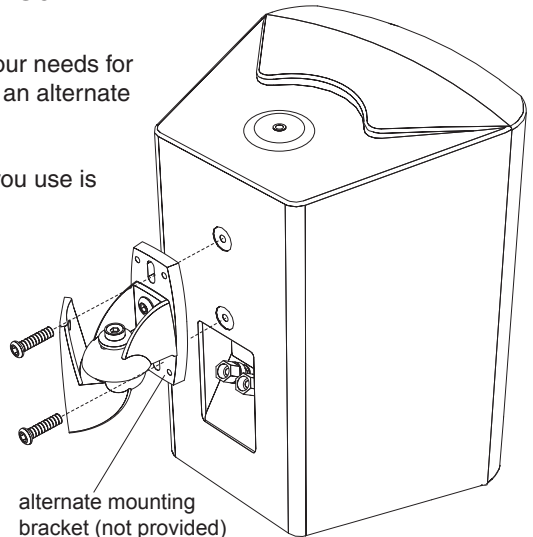
Allow enough speaker wire between the two terminals and the U-bracket to adjust the position of the speaker. Using silicon rubber, fill in the space around the wires at the U-bracket.



## Alternative Mounting Method

If the supplied U-brackets do not meet your needs for the angle and direction of the enclosure, an alternate mounting bracket is available.

Make certain that the mounting system you use is securely fastened to a solid surface.



If you have installation questions, contact Clipsal Technical Support at one of the numbers below. For warranty questions, refer to the warranty form that is provided with this product.

<b>Clipsal Technical Support Contact Numbers</b>	
<b>Australia</b>	1300 722 247 (CIS Technical Support Hotline)
<b>New Zealand</b>	0800 888 219 (CIS Technical Support Hotline)
<b>Northern Asia</b>	+852 2484 4157 (Clipsal Hong Kong)
<b>South Africa</b>	011 314 5200 (C-Bus Technical Support)
<b>Southern Asia</b>	+603 7665 3555 Ext. 236 or 242 (CIS Malaysia)
<b>United Kingdom</b>	0870 608 8 608 (Schneider Electric Support)

**Clipsal CIS Technical Support email: [cis.support@clipsal.com.au](mailto:cis.support@clipsal.com.au)**

---

**Clipsal Australia Pty Ltd**

A member of Schneider Electric

**Contact us: [clipsal.com/feedback](https://www.clipsal.com/feedback)**

**National Customer Care Enquiries:**

**Tel 1300 2025 25**

**Fax 1300 2025 56**

**clipsal.com**

Clipsal Australia Pty Ltd reserves the right to change specifications, modify designs and discontinue items without incurring obligation and whilst every effort is made to ensure that descriptions, specifications and other information in this catalogue are correct, no warranty is given in respect thereof and the company shall not be liable for any error therein.

© Clipsal Australia Pty Ltd. The identified trademarks and copyrights are the property of Clipsal Australia Pty Ltd unless otherwise noted.