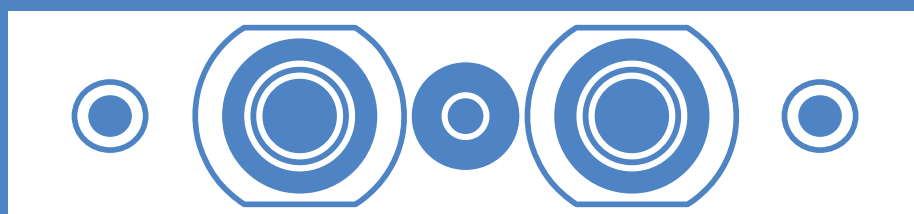
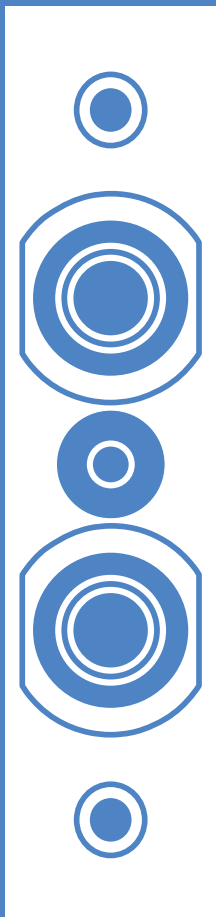


Owner's Manual
Tryptix



Congratulations on choosing Krix

Your Krix speakers are designed to reproduce the highest quality sound. To get the best performance from your speakers please read this owner's manual carefully as there are many factors that influence the performance of your speakers. If you have any difficulties please speak with one of our friendly authorised Krix dealers.

installation in brief

1. unpacking

Remove your Tryptix from the packing.

2. positioning

Place Tryptix in desired listening position.

3. installation and connecting

Attach Tryptix to wall or stand and connect loudspeaker to amplifier.

4. listen and enjoy

Turn on system and enjoy!



disclaimer

Drilling into anything can be dangerous. You should make sure you know what is behind or inside the surface that you are drilling before you start to drill. For example, you might strike an electrical cable.

You must use appropriate fixings for the surface that you are fixing to. If you don't, injury or damage may occur.

Each bracket is rated to carry a weight of up to 10kg only.

If you do not feel entirely confident about installing this product, contact a professional installer.

Disclaimer

To the extent permissible by law:

All warranties, conditions, representations, promises and statements relating howsoever to this product whether express or implied and whether in contract or tort are excluded to the extent permitted by law; and

Our liability to you under a condition or warranty (if any) implied into this sale and purchase agreement relating to these brackets by the Trade Practices Act 1974 (as amended) or any other law (whether a law of Australia or any other country) other than a condition implied by Section 69 of the said Act is limited at our option to:

the replacement of the product; or
the supply of an equivalent product; or
the repair of the product.

If you do not accept the above conditions, return this product (in the original packaging) with proof of purchase for a full refund.

specifications

Frequency Range	65Hz - 40kHz in room response
Power Handling	Maximum 100 watts RMS amplifier power into 4ohms
Sensitivity	88dB for 2.83 volts at 1 metre
Configuration	Point source dual 4 inch 2-way
Bass Drivers	2 x nominal 100mm (4") doped paper cones. 25mm (1") voice coil wound on high powered aluminium former provides good linearity and driver control at large cone excursion
Tweeter	26mm (1"), dual concentric diaphragm with wave-guide centre plug for controlled directivity. Non-reflective dual chambered magnet structure for lower distortion
Crossover Point	1.75kHz
Impedance	Nominally 4 ohms
Enclosure Type	Bass reflex front vented
Dimensions	550mm high x 136mm wide x 118mm deep
Material	5mm ABS, internally braced
Finish	Laquered high gloss paint
Volume	5 litres internal
Weight	3.5kg each

amplifier and speaker power ratings

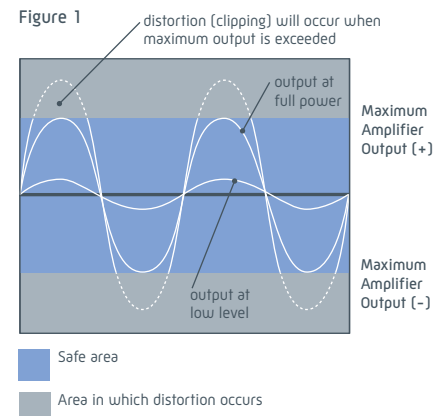
Krix speakers come with a maximum power rating. The rating gives you a guide to match the appropriate amplifier with your speakers.

When the input level to the amplifier is very high, as with CD/DVD players, maximum output power is reached on the amplifier before the volume dial is at maximum. When using a CD/DVD player, maximum output power can be at approximately 12 o'clock on the volume dial. Amplifiers with the volume level shown on a digital display make it hard to judge when maximum power is reached. As a guide, we suggest that you do not exceed zero on the digital display.

Turning the volume dial past the amplifier's maximum output power will create distortion (clipping) (see figure 1). Inputting a distorted signal into your speakers over a prolonged period will damage them. You can damage a 200 Watt speaker with a 50 Watt/channel amplifier delivering a distorted signal just as

easily as you can damage a 50 Watt speaker with a 200 Watt/channel amplifier delivering too much power. Running an amplifier at very high volume over a prolonged period can even damage a compatible speaker/amplifier combination. For more information contact your authorised Krix dealer or visit krix.com.

Figure 1



positioning



Note for CRT users:

The Krix Tryptix has been designed for use with flat screen plasma and LCD displays which are not affected by magnetic interference. As a guide, magnetically sensitive equipment (such as CRT televisions) should be positioned at least 200mm clear of the speakers to avoid magnetic interference.

mounting options

The Krix Tryptix has been designed to provide maximum versatility by allowing installation on either a wall or a stand. A combination of wall mounting, table stands and floor stands may be used to allow the discreet installation of stereo, surround or multiroom sound setups (figures 2-5). The Tryptix's shallow depth has been developed to complement current flat screen technology without any compromise in performance. Special brackets (patent pending) have been designed to conceal the wiring and present a neat appearance.

front left and right speakers

Obtaining the best position for your speakers may require some experimentation. As a guide, the placement of left and right speakers used for two-channel stereo should form an equilateral triangle with the primary listening position. In many situations room layout and speaker mounting may require the front speakers to be positioned closer together than this recommendation. Excellent results are often achieved in these situations. It must be noted however, that placing front speakers too close together can result in the sound becoming monophonic and lacking depth.

centre channel speaker

Position the centre channel speaker above or below your television. Ideally the centre channel speaker should aim at ear level when seated.

The Tryptix table stand allows free standing horizontal centre channel placement (figure 5). A Tryptix centre channel may also be used without a stand and placed directly on any flat surface (figure 4). The silicon pads provided may be attached at suitable locations on the speaker to ensure the speaker sits securely and the paint finish is protected.

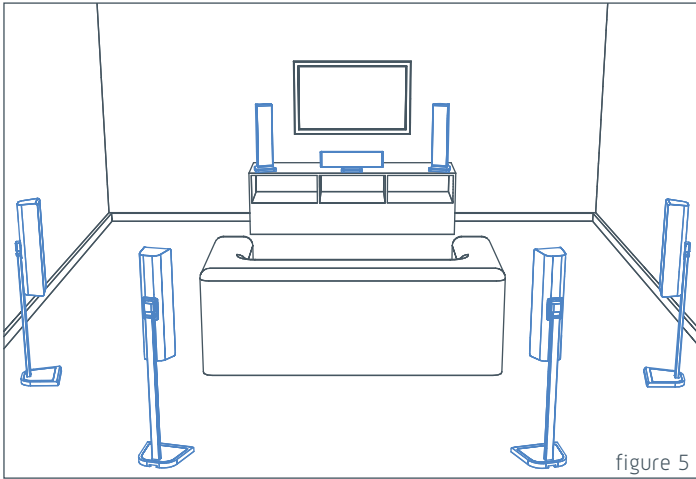
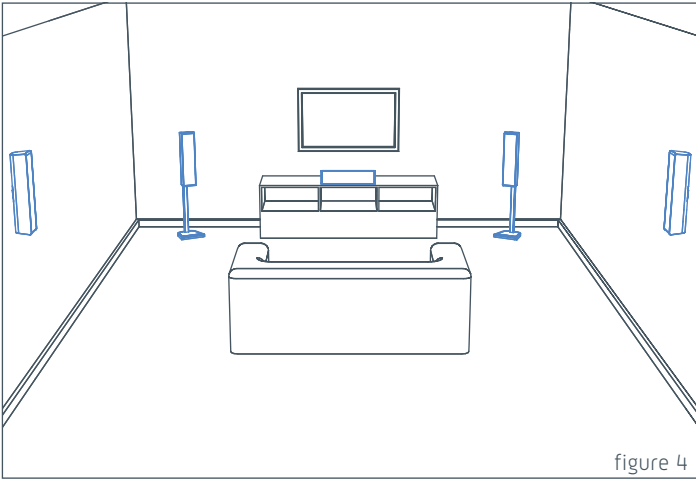
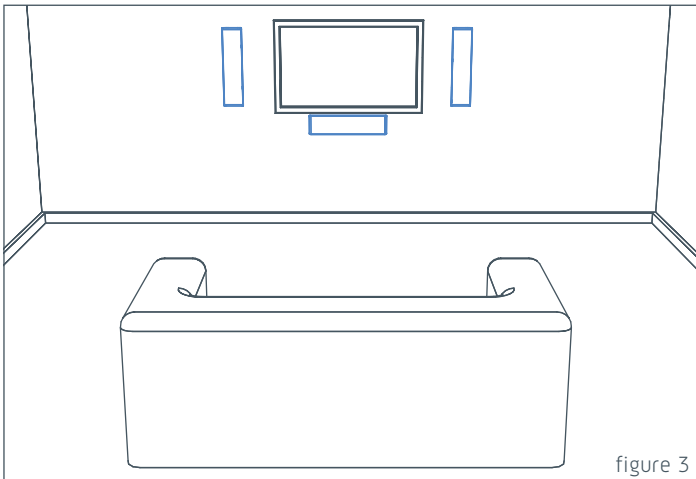
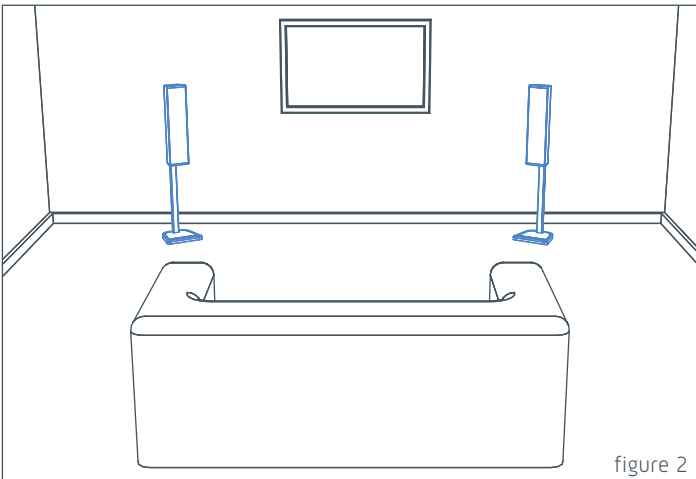
rear speakers

Rear speakers (for home theatre) should be placed to each side and/or behind the listener. Exact positioning will be dependant on your room layout and the number of surround/rear speakers in your system (e.g 5.1, 6.1, 7.1 and beyond).

subwoofer

If a subwoofer is to be used, please refer to your subwoofer manual for suggested subwoofer placement.

positioning



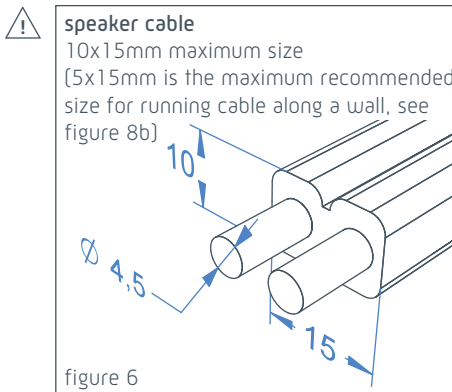
example Tryptix systems

Figures 2-5 provide examples of the Tryptix in 2.1, 3.1, 5.1 and 7.1 channel installations. These are examples only, please ask your Krix dealer about tailoring a system to your own specific requirements.

wall installation

hardware/tools required

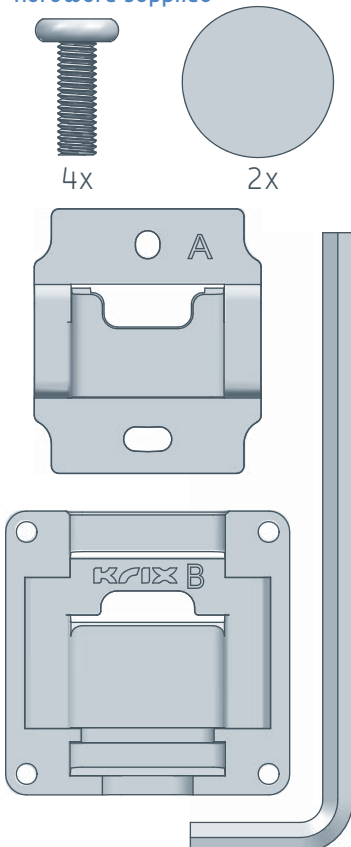
- electric drill
- 2x wall anchors, suitable for wall material (wall anchor must fit through 6mm bracket mounting holes)
- drill bit, sized to suit wall anchor
- screw driver, to suit wall anchor



You may also require:

- wire strippers/cutters

hardware supplied



before you begin

- Select the desired position and orientation for mounting the loudspeaker on the wall.

! To avoid injury or damage ensure that the fasteners used to attach the bracket to the wall will not interfere with any electrical wiring, plumbing, etc. behind the mounting surface.

- Select wall anchors appropriate for the desired mounting surface and speaker weight. Wall anchor size must fit through 6mm bracket mounting holes. Two wall anchors are required per bracket assembly.

! Select speaker cables. See figure 6 for maximum cable dimensions compatible with Tryptix binding posts and bracket.

connecting

To ensure optimum performance it is important that your speaker system is connected properly:

! Turn off all electronic equipment and disconnect from the power point.

- Follow the connection instructions supplied with your amplifier, CD/DVD, hard disk recorder, video player etc.
- Install speaker cable in wall or ceiling cavity, or run cable along wall surface. Allow approximately 300mm of excess cable to facilitate Tryptix installation.
- Follow the connection instructions supplied with your amplifier to connect the speaker cables to amplifier. Take care to assign the same cable colour or trace to the positive (+) connector on the amplifier as the positive (+) connector on the speaker.
- Prepare speaker cables for connecting to speakers by neatly stripping cable ends. (Note: Spade lugs or banana plugs are not compatible with Tryptix binding posts.)

! Care should be taken to eliminate loose strands of wire that may be present a short circuit hazard.

installation

Tryptix wall installation requires only one person but an assistant may be helpful.

- Using wall bracket (A) as a guide, mark out and drill wall anchor holes. If the Tryptix are to be mounted next to a display screen a minimum clearance of 42mm must be maintained between the screen edge and bracket. (figure 7)
- If loudspeaker cable has been run inside the wall, guide cable through the wall bracket (A). (figure 8a)
- If loudspeaker cable has been run along the wall, slide cable under wall bracket (A). (figure 8b)
- Attach wall bracket (A) to wall using appropriate wall anchors.
- Feed cable through speaker bracket (B). (figure 9)
- Push and hold down positive (+) red binding post on speaker and insert positive (+) wire through hole in post. Take care to assign the same cable colour or trace to the positive (+) connector on the amplifier, as the positive (+) connector on the speaker. Repeat connection process with negative (-) black binding post and negative (-) wire. (figure 10)
- Attach speaker bracket to the rear of the Tryptix using allen key and four allen head bolts supplied. (figure 11)
- Self-adhesive silicon pads are supplied with each Tryptix. Put at least one pad at each end on the back of the Tryptix to protect and isolate speaker from the wall. (figure 12)
- Whilst feeding the excess cable back through wall bracket (A) carefully align and hook speaker onto bracket (A). (figure 12)

wall installation

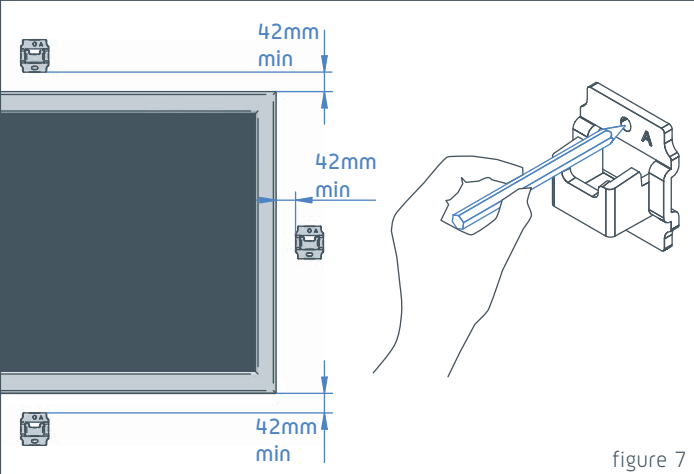


figure 7

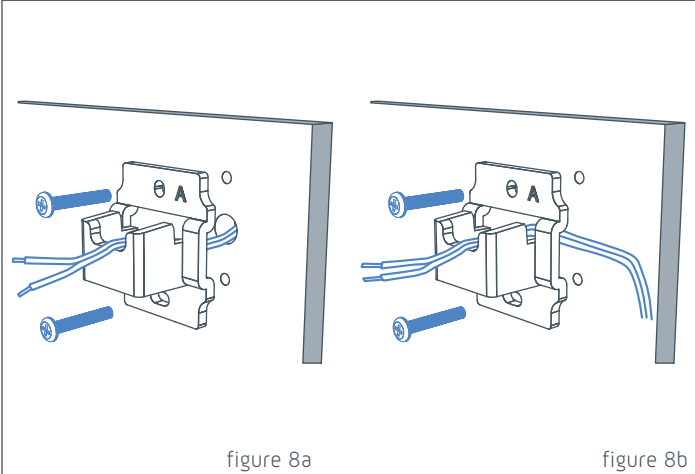


figure 8a

figure 8b

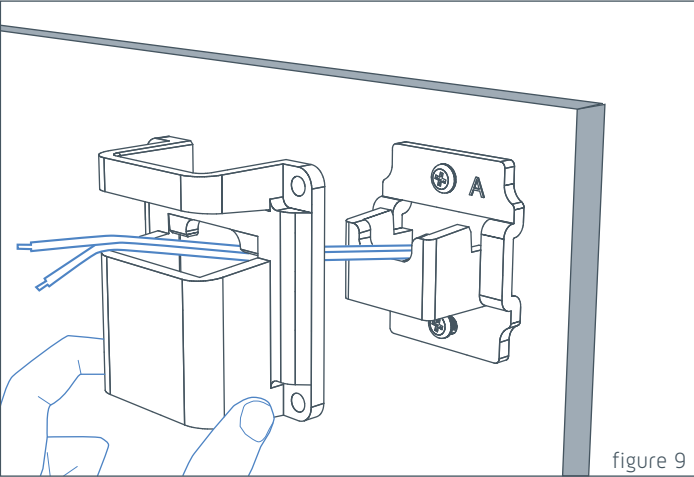


figure 9

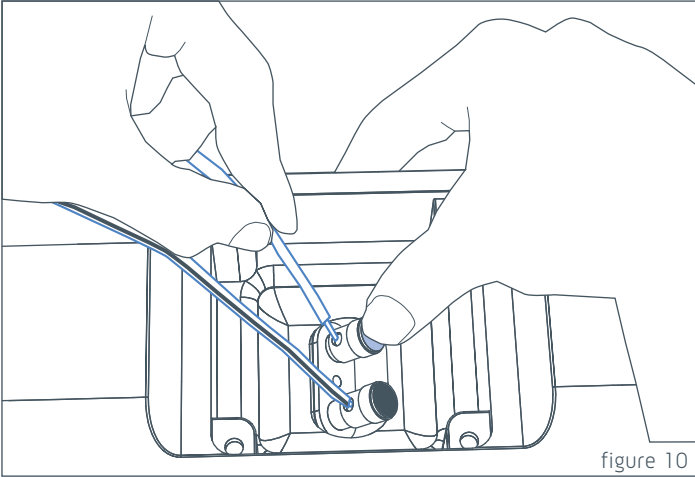


figure 10

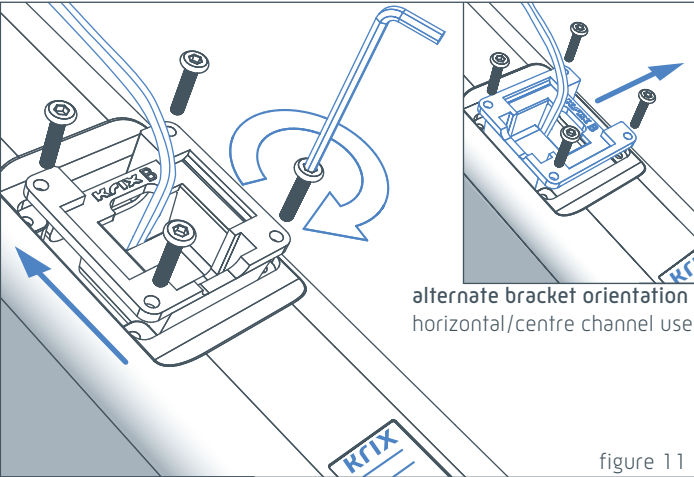


figure 11

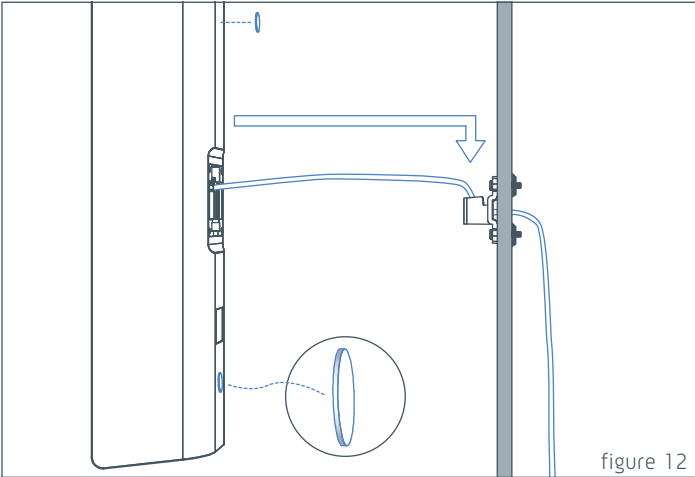


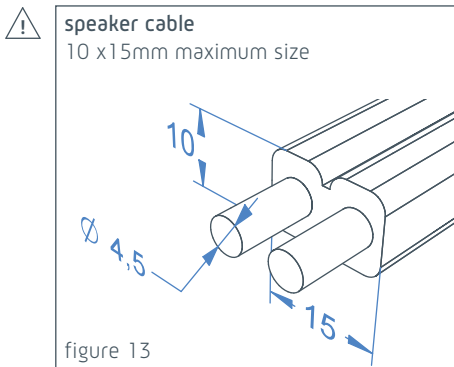
figure 12

stand assembly

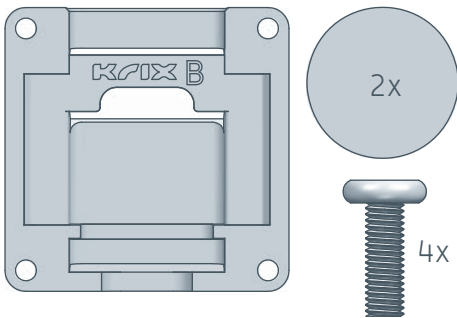
hardware/tools required

You may require:

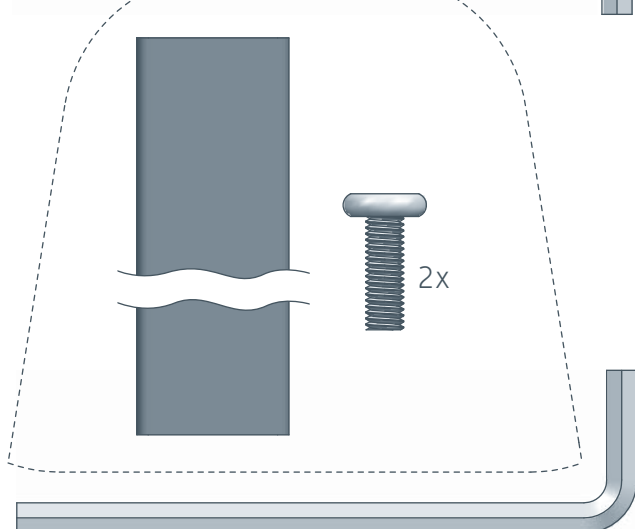
- wire strippers/cutters



hardware supplied with speaker:



with stand:



before you begin

- ! Select speaker cables. See figure 13 for maximum cable dimensions compatible with Tryptix binding posts and bracket.

connecting

- To ensure optimum performance it is important that your speaker system is connected properly:

- ! Turn off all electronic equipment and disconnect from the power point.

- Follow the connection instructions supplied with your amplifier, CD/DVD, hard disk recorder, video player etc.
- Follow the connection instructions supplied with your amplifier to connect the speaker cables to amplifier. Take care to assign the same cable colour or trace to the positive (+) connector on the amplifier, as the positive (+) connector on the speaker.

assembly

- Attach post to base using allen key and allen bolts supplied. (figure 14a-floor stand, 14b-table stand)
- If using Tryptix floor stand four floor spikes and rubber feet are supplied. Select and install spikes or feet appropriate to your floor surface. (figure 14a)
- Feed speaker cable through hole in base of stand and out through top of post. (figure 15)
- Feed cable through speaker bracket. (figure 15)
- Prepare speaker cables for connecting to speakers by neatly stripping cable ends. (Note: Spade lugs or banana plugs are not compatible with Tryptix binding posts.)

- ! Care should be taken to eliminate loose strands of wire that may be present a short circuit hazard.

- Push and hold down positive (+) red binding post on speaker and insert positive (+) wire through hole in post. Take care to assign the same cable colour or trace to the positive (+) connector on the amplifier, as the positive (+) connector on the speaker. Repeat connection process with negative (-) black binding post and negative (-) wire. (figure 16)
- Attach speaker bracket to the rear of the Tryptix using allen key and four allen head bolts supplied. (figure 17)
- Self-adhesive silicon pads are supplied with each Tryptix. Put at least one pad on the back at the bottom of the Tryptix to protect and isolate speaker from the post. (figure 18)
- Whilst feeding the excess cable back through the stand, carefully align and hook speaker bracket onto post. (figure 18)

stand assembly

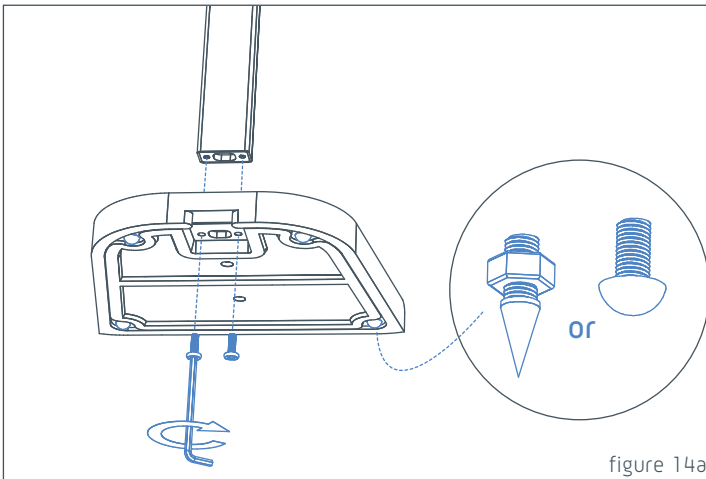


figure 14a

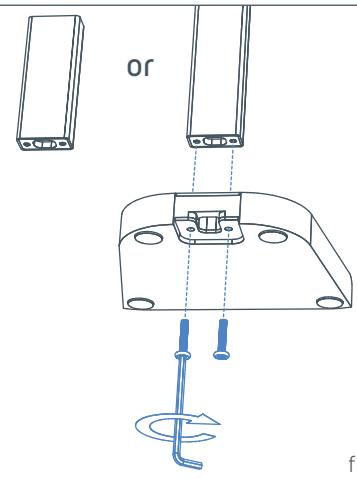


figure 14b

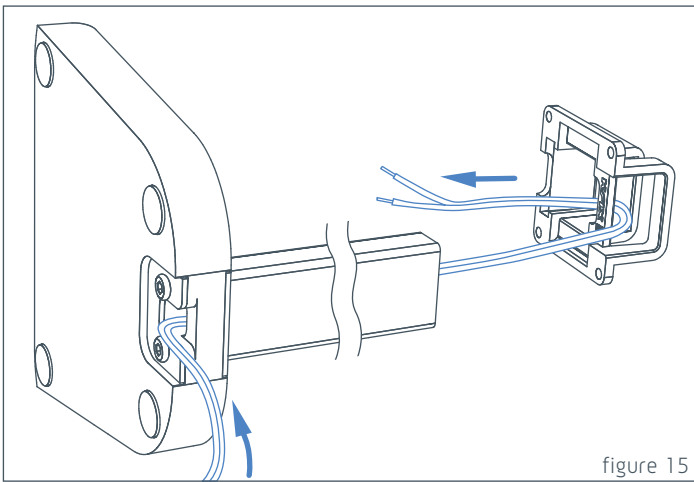


figure 15

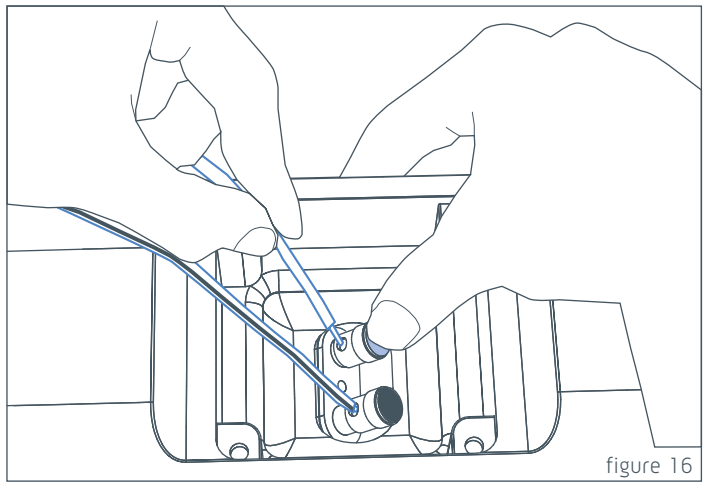


figure 16

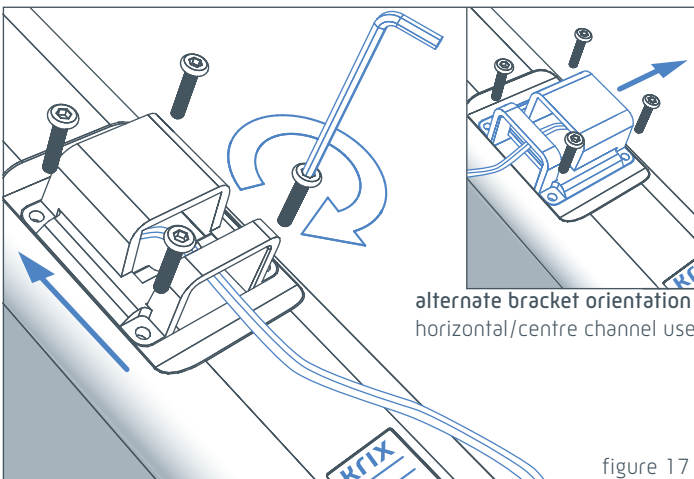


figure 17

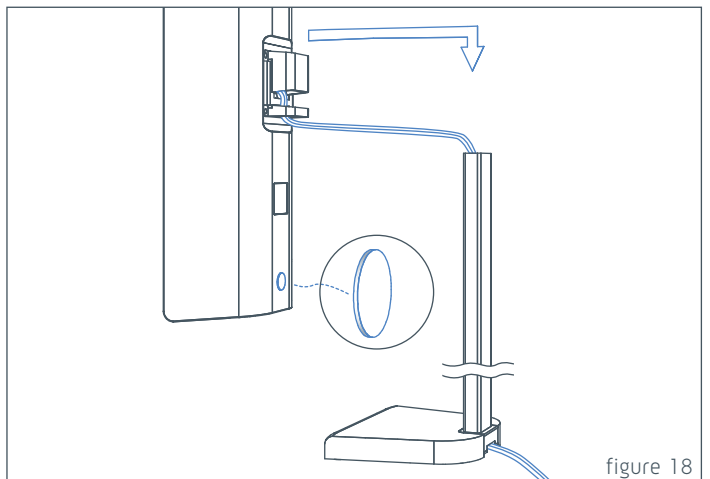


figure 18

listen and enjoy

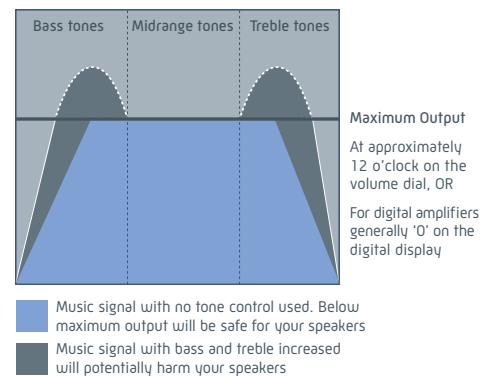
caring for your krix speakers

To clean your speaker cabinet gently wipe with a damp cloth. Do not rub hard on the cabinet in one spot as you may leave a polished spot. The cloth grille, bass driver(s) and tweeter can be dusted by using a soft bristled brush to gently remove excess dust. To remove the cloth grille firmly grip the edges and gently pull away to reveal the front baffle and drivers. To reinstall the grille, line up grille magnets with small recesses in the front baffle and gently click into place. Wherever possible, do not touch the tweeters, they are fragile and easily damaged.

tone controls

Your Krix speakers do not require adjustment to the treble or bass. If you wish, you can adjust the tone controls for reasons of personal taste or room acoustics, however this may damage your speakers when the amplifier is operating at high output (see figure 6). For more information please contact your authorised Krix dealer or visit krix.com.

Figure 6



Thank you for choosing Krix.

Krix Loudspeakers Pty Ltd
14 Chapman Road
Hackham SA 5163
Australia

T 61 8 8384 3433
F 61 8 8384 3419
listen@krix.com

Rev #10003

krix.com