



Installation instructions for the Linn SEKRIT wall box.

This instruction document comprises five sheets containing the following information:

- Introductory information
- An exploded drawing showing all the parts required to fit the SEKRIT using a wall box
- A drawing that indicates the important features of the wall box
- Two sheets showing how to fit the wall box behind a new plasterboard wall.
- An isometric drawing showing the dimensions for the box.

The wall box has been designed to be used with a SEKRIT in-wall loudspeaker where there is a requirement to reduce the sound that can escape from the back of the loudspeaker. It has the added advantage that it provides an enclosure of fixed volume that will enhance the performance of the SEKRIT.

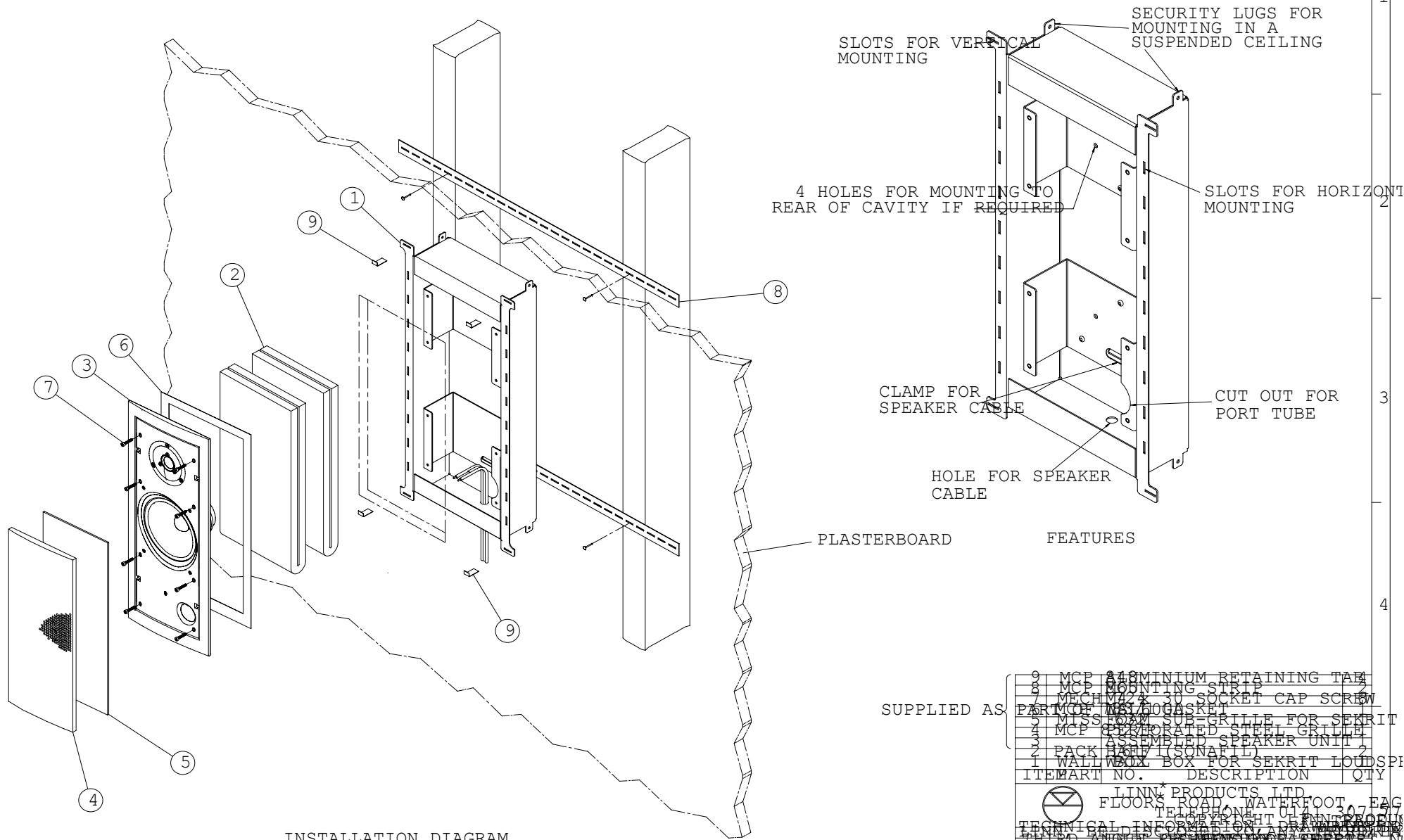
The wall box is primarily intended for installation into a new stud partition wall or a new plasterboard ceiling. The idea is that a router can be run round the edge of the opening in the box to cut the correct sized hole in the plasterboard for the SEKRIT. It can however be fitted into a solid wall in the same way as a switch box.

Where a stud partition wall is already built, it is recommended to use the normal installation system provided with the SEKRIT.

Please note the following points before starting installation:

- When the cable has been fitted through the hole in the bottom, fill the hole with mastik or silicone to seal the box.
- Note that the box has to be orientated because of the cut out to clear the port tube.
- Prior to fitting the plasterboard over the face of the wall box, run a bead of mastik or silicone around the front face and where the retaining tabs hold the box to the mounting strip. This will minimise the possibility of parts rattling when the speaker is working.
- Do not over-tighten the cap head screws when fitting the SEKRIT. Tighten them just enough to secure to SEKRIT to the wall so that it will not rattle.


WALL BOX FOR SEKRIIT



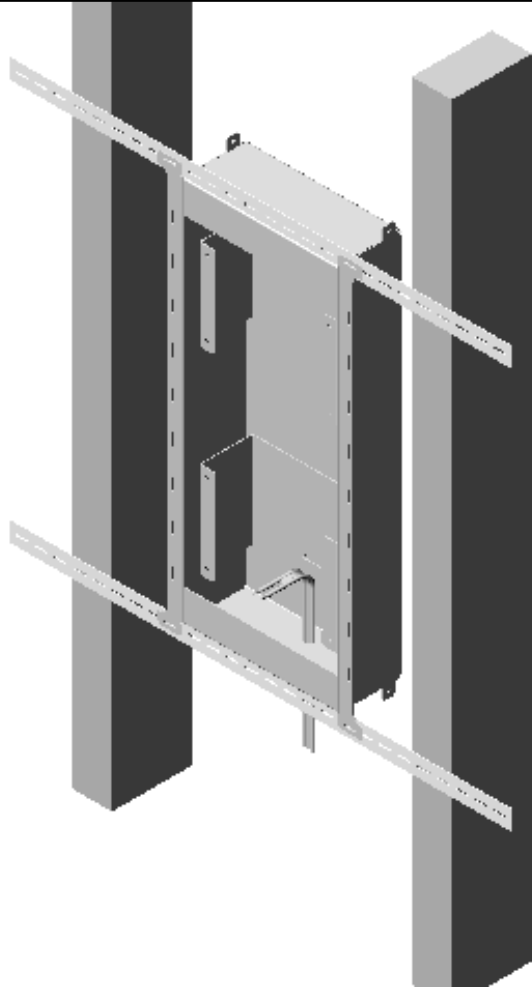
INSTALLATION DIAGRAM

SUPPLIED AS

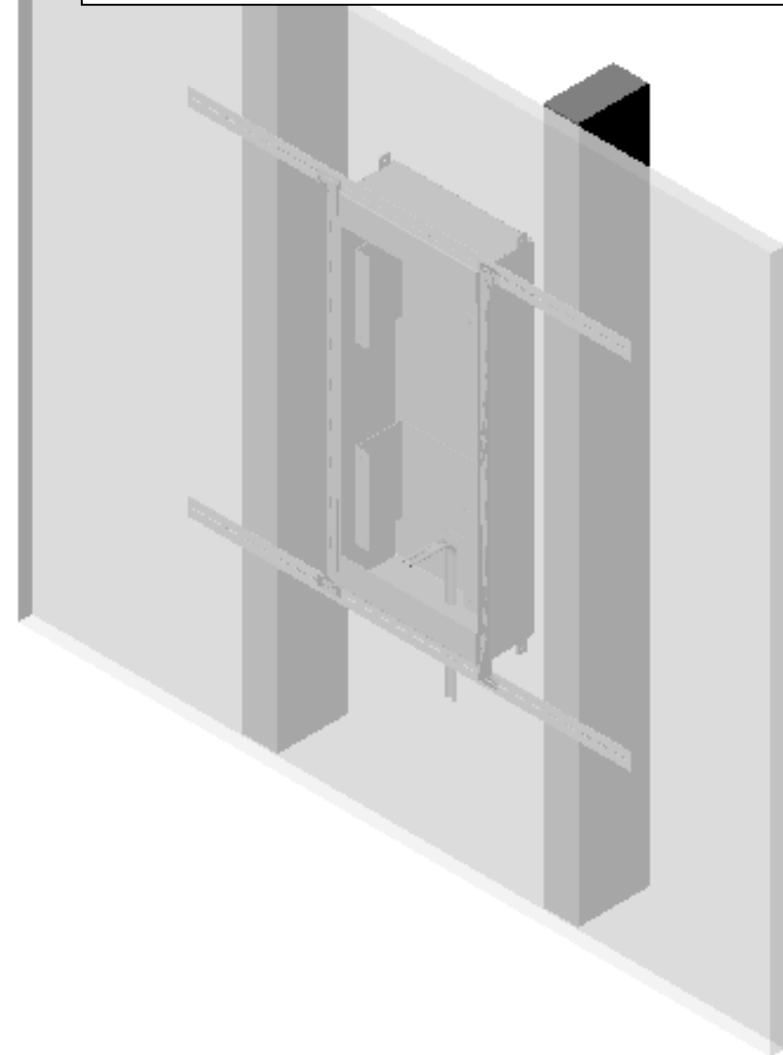
ITEM NO.	DESCRIPTION	QTY
9	MCP 248 ALUMINIUM RETAINING TAB	4
8	MCP 606 ALUMINIUM STRIP	2
7	MECHM24 30 SOCKET CAP SCREW	4
6	PART MCP 1051 GASKET	1
5	MISS FOAM SUB-GRILLE FOR SEKRIIT	1
4	MCP 822 PERFORATED STEEL GRILLE	1
3	ASSEMBLED SPEAKER UNIT	1
2	PACK BASE (SONAFIL)	1
1	WALL BOX FOR SEKRIIT LOUDSPEAKER	1

 LINN* PRODUCTS, LTD.
 FLOORS ROAD, WATERFOOT, EAGLETON, MIDlothian, SCOTLAND, EH20 7EJ
 TECHNICAL INFORMATION DEPARTMENT
 THIRD ANGLE PROJECTION DRAWING
 ALL MATERIAL DRG. NO. AS SHOWN SEE NOTE WALL BOX ASSEMBLY
 DRAWN BY: []
 CHECKED BY: []

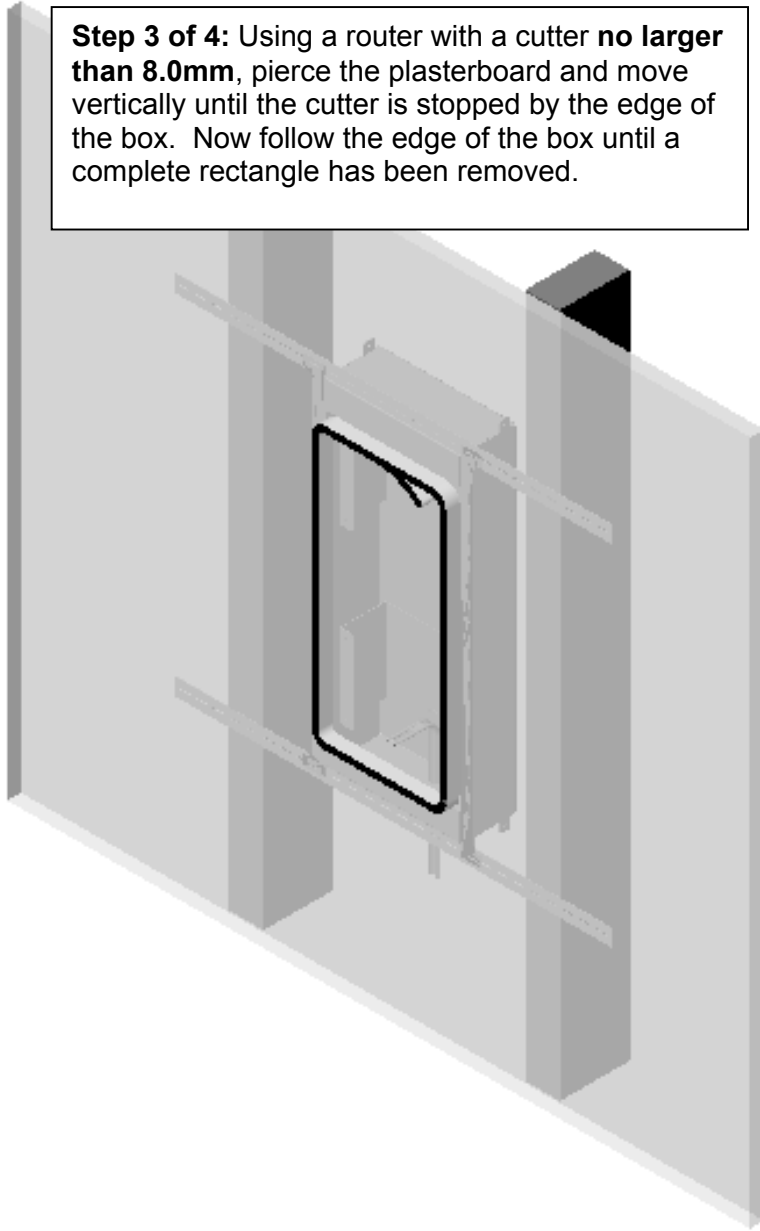
Step 1 of 4: Fit the horizontal mounting strips across the vertical studs and then mount the wall box onto the strips. Feed the cable through the grommet and secure it with the clamping finger. Seal the cable into the grommet with silicone or mastik. See page 5 for more details about fitting cables.



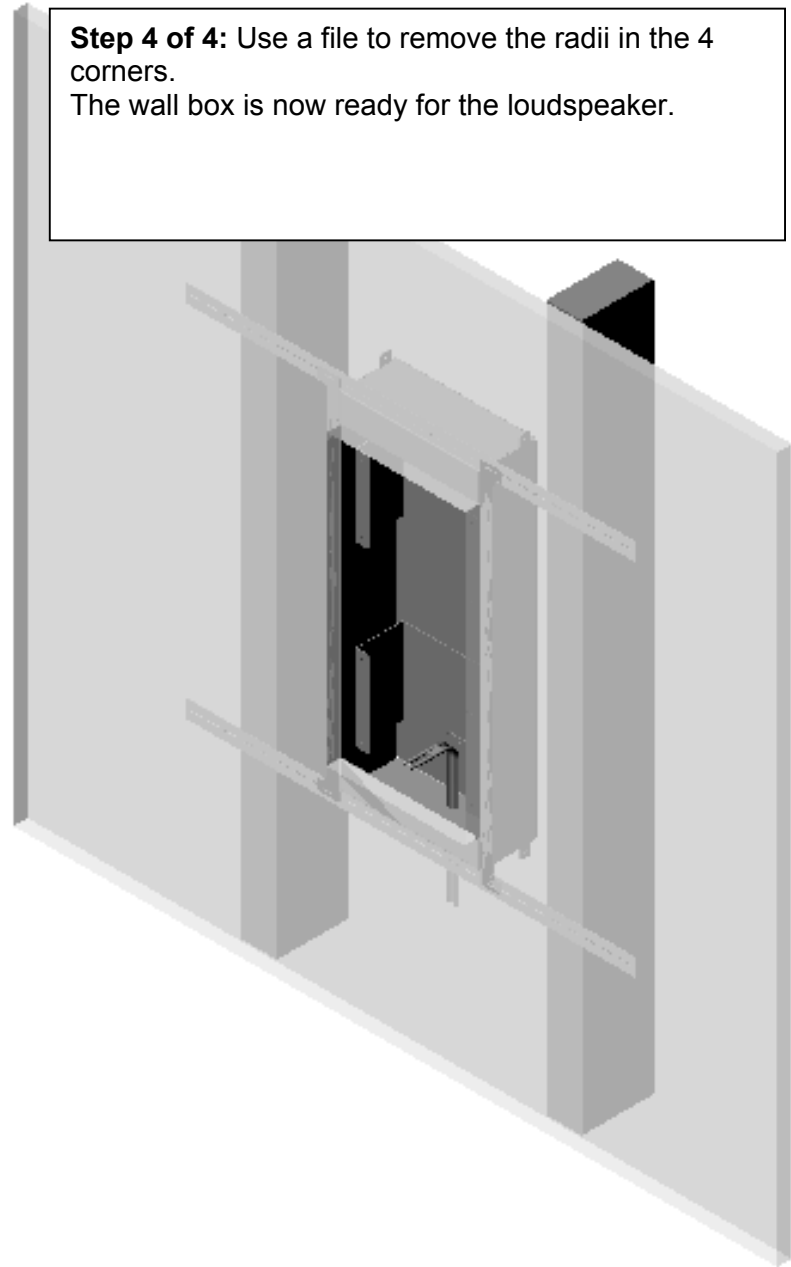
Step 2 of 4: Run a bead of silicone or mastik around the front face of the wall box. At the same time add some silicone or mastik to the tabs that hold the box to the horizontal strips. This will prevent them rattling. Fit the plasterboard onto the studs, after marking approximately where the centre of the wall box is located

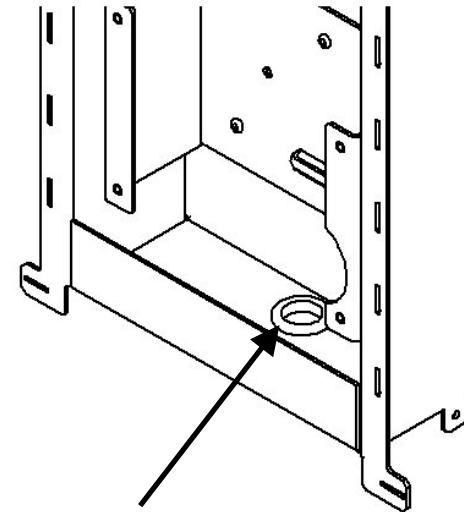
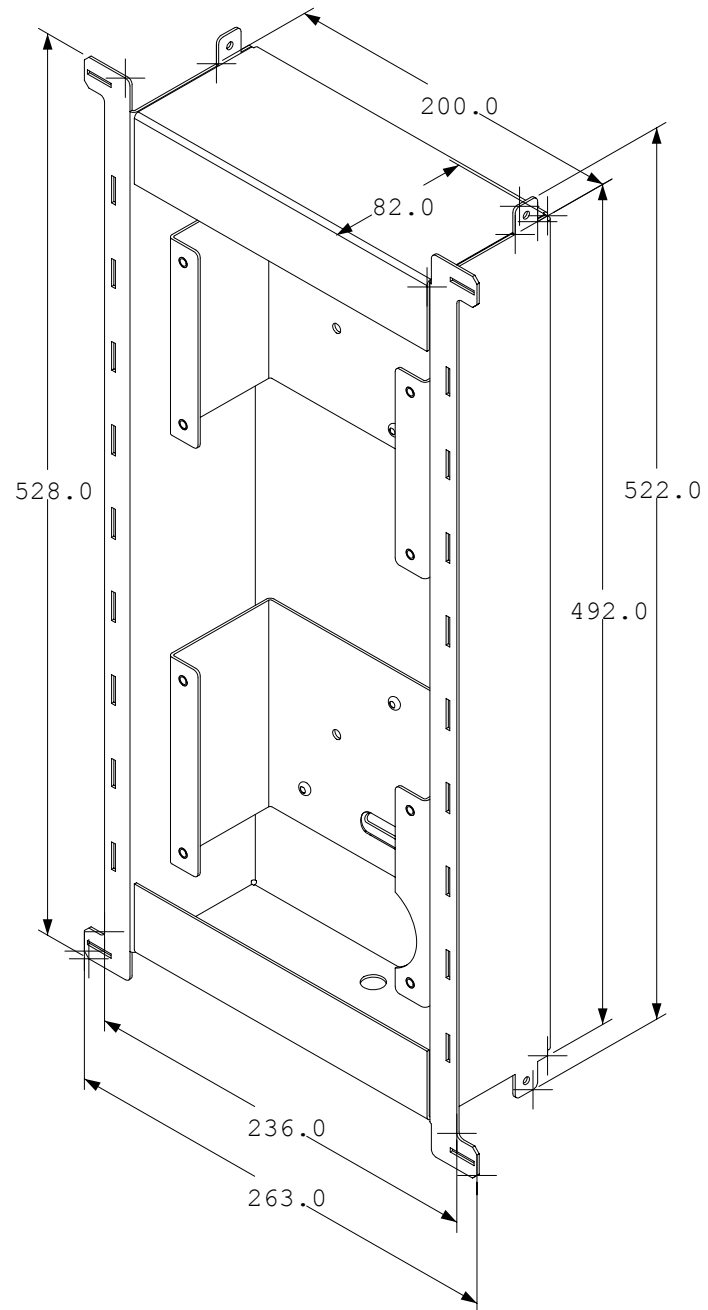


Step 3 of 4: Using a router with a cutter **no larger than 8.0mm**, pierce the plasterboard and move vertically until the cutter is stopped by the edge of the box. Now follow the edge of the box until a complete rectangle has been removed.



Step 4 of 4: Use a file to remove the radii in the 4 corners.
The wall box is now ready for the loudspeaker.





For using with single wire, cut a cross in the membrane of this grommet and push the speaker wire through from the outside.
For using with 25.0mm conduit, remove the grommet and discard.
When using conduit, it is necessary to block the tube close to the wall box to prevent air leaking out of the cabinet.