

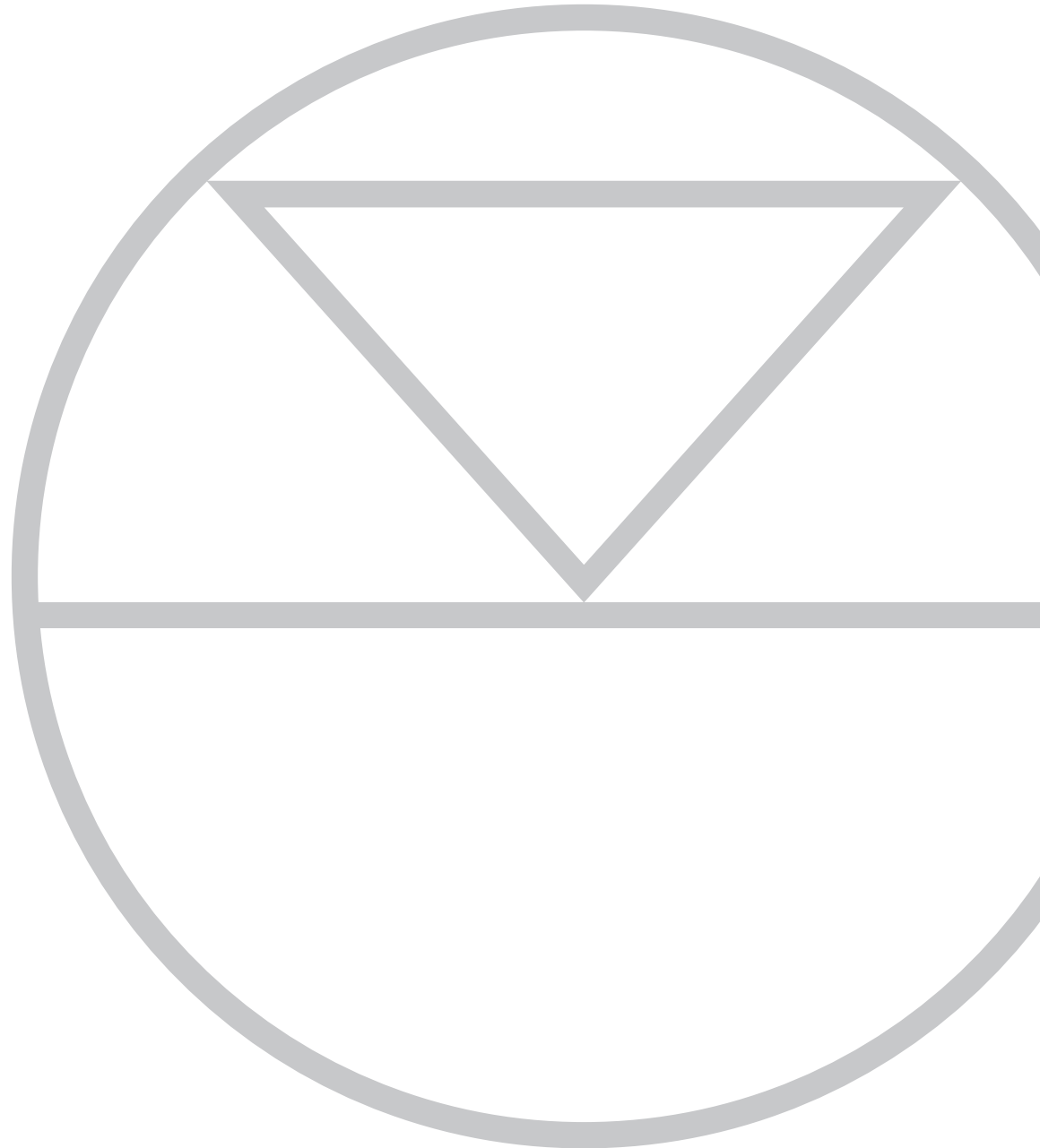


LINN

English

**KOMPONENT
110, 106, 104**

Advanced Features



Copyright and Acknowledgements

Copyright © 2005 Linn Products Ltd. First edition May 2005.

Linn Products Limited, Glasgow Road, Waterfoot, Eaglesham, Glasgow, G76 0EQ,
Scotland, United Kingdom

All rights reserved. No part of this publication may be reproduced, stored in a retrieval system, or transmitted, in any form or by any means, electronic, mechanical, photocopying, recording, or otherwise, without the prior written permission of the publisher.

Printed in the United Kingdom.

Trade marks used in this publication: **Linn** and the **Linn logo** are registered trade marks of Linn Products Limited. **KOMPONENT** is a trade mark of Linn Products Limited.

The information in this manual is furnished for informational use only, is subject to change without notice, and should not be construed as a commitment by Linn Products Limited. Linn Products Limited assumes no responsibility or liability for any errors or inaccuracies that may appear in this manual.

Contents

Installation	1
Positioning	1
Levelling (spiked floor-stand mounting only)	2
Connecting	3
General	3
Terminals	3
Cable-routing	3
Configuration options	3
Link strip information	4
Wiring / amping configurations	5
Single-wiring	5
Bi-wiring or bi-amping	5
Tri-wiring or tri-amping	5
Quad-wiring or quad-amping (KOMPONENT 110 & 106 only)	5
AKTIV configuration	6

Installation

Positioning

The KOMPONENT loudspeakers have been designed to provide a very flexible loudspeaker solution. Stand-mounting, wall-mounting and (in the case of the 106 and 104 models) shelf-mounting provide setup options to suit any application or room layout. An example of such a layout (for a 5.1 system) is shown below. Ideally, the distance between the front left and right loudspeakers should equal the distance to the listening position, as indicated.

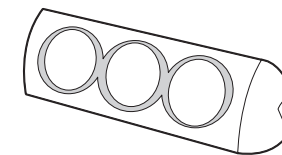
Whichever mounting method you employ, for best results ensure that the loudspeakers are held rigidly or positioned stably. This will ensure that as much of the movement of the drive units as possible is converted to sound energy, rather than cabinet movement (in the form of vibration, wobble etc.).

The KOMPONENT loudspeakers generally perform best with very little toe-in (i.e. only very slight angling of the loudspeakers towards the listening position is required). Some experimentation with the positioning and angle of your loudspeakers may help to optimise the sound within your room setting.

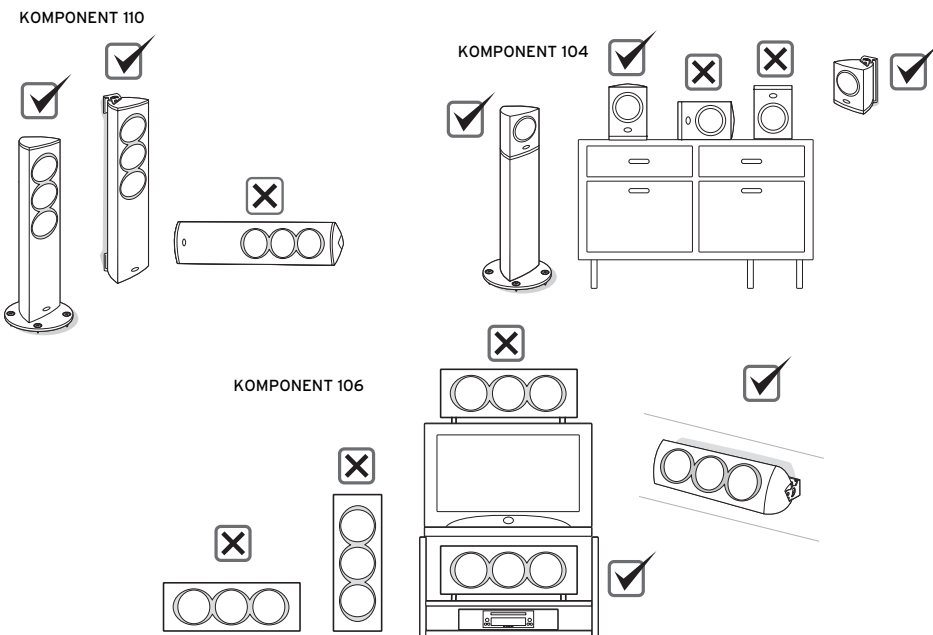
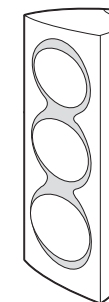
Note:

The acoustic array on the KOMPONENT 106 centre channel has been factory configured for horizontal dispersion. It can however be converted, by your Authorised Linn Retailer, to allow the loudspeaker to be positioned vertically. Vertical positioning without conversion is not recommended.

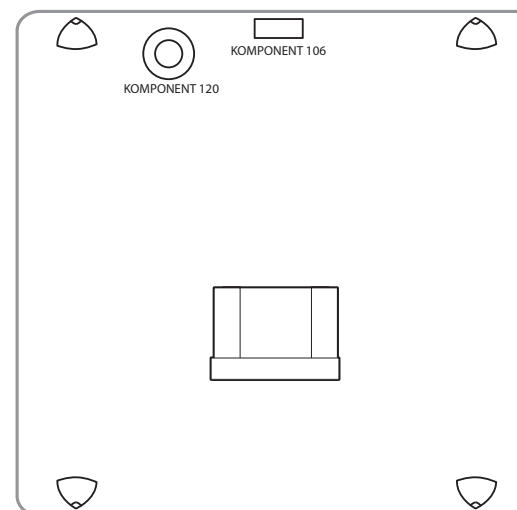
KOMPONENT 106 horizontal alignment - factory configuration



KOMPONENT 106 vertical alignment - requires conversion



5.1 system suggested speaker positioning



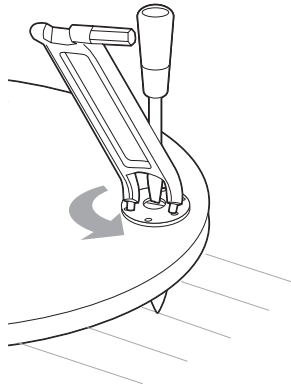
Levelling (spiked floor-stand mounting only)

The procedure for levelling each loudspeaker should be as follows:

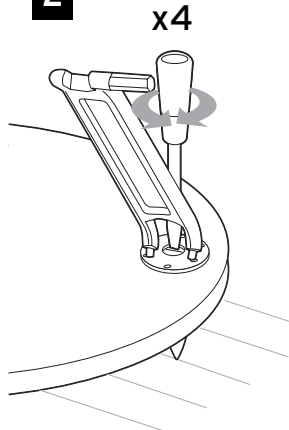
- Being careful not to scratch the cabinet, use a spirit level to check if it is sitting level. If it is, gently rock the loudspeaker from front to back, side to side and diagonally to check for any movement. If none is present and the loudspeaker is sitting level, no adjustment to the spikes is necessary.
- If the loudspeaker is not level, or moves when you rock it, loosen the appropriate lock nuts using the tool provided (1) and use a screwdriver to turn the spikes to adjust their height (2).

- Press down firmly on the top of the loudspeaker to ensure it is in close contact with your flooring.
- Use the spirit level as before and continue to adjust the spikes as required.
- When the loudspeaker is level and does not rock, use the screwdriver to hold the spike in place and tighten the lock nuts using the tool provided (3).

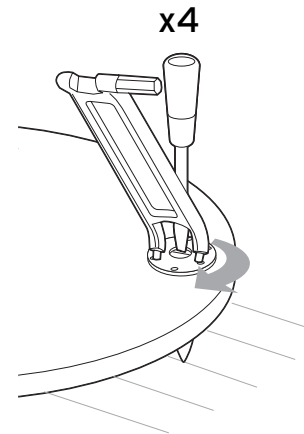
1



2

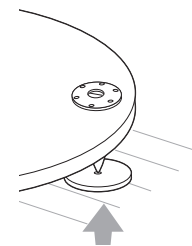


3



Note:

To protect wooden or tiled floors, the spikes can be placed on the floor-protectors, which are supplied with the KOMPONENT spiked stands.



Connecting

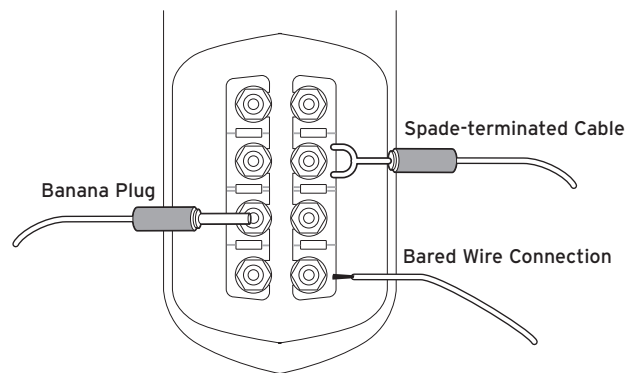
General

IMPORTANT. Before making any connections, switch off all products in your hi-fi or AV system.

Terminals

The terminals are hidden under a removable cover. To access the terminals, unclip the cover by carefully pushing its edges inwards. If your connection and cable-routing method allow, the terminal cover can sometimes be refitted after making the connections.

The loudspeakers are fitted with binding-post terminals. These terminals can be used as sockets for the connection of 4mm banana plugs. They can also be used as binding posts for the connection of bared wires or spade-terminated cables by loosening the outer section of the binding post (do not attempt to completely remove this outer section), inserting the cable or terminal and re-tightening to clamp it in place and provide a good electrical connection.



Cable-routing

In the case of the KOMPONENT 110 and KOMPONENT 104 (where stand is fitted), the cable(s) can be routed through a hidden channel inside the stand to provide an invisible connection if so desired. See stand fitting instructions, supplied with the stands.

Note:

Fit the stand before routing the cable(s).

Configuration options

The KOMPONENT loudspeakers offer an array of configuration options, as described below. Connections for each of the methods are shown in the *Wiring and amping configurations* chapter, later in this manual.

The options are listed in order of increasing sonic performance. Multi-wiring and multi-amping options offer improvements in sound quality over single-wiring. The greater the separation of the frequency bands in the amplifiers, crossover and cables, the more precise the quality of the playback performance; with AKTIV operation representing the ultimate configuration (see *AKTIV operation*, below).

Passive single-wiring - a single amplifier channel connects to the loudspeaker using a single cable.

Passive multi-wiring (bi-wire, tri-wire or quad-wire) - a single amplifier channel connects to the loudspeaker using two, three or four cables (note - quad-wiring is not available for KOMPONENT 104).

Passive multi-amping (bi-amp, tri-amp or quad-amp) - two, three or four amplifier channels connect to the loudspeaker (note - quad-amping is not available for KOMPONENT 104).

Note:

Multi-amping can be combined with multi-wiring - e.g. bi-amping could employ tri-wiring.

AKTIV operation. The term 'AKTIV' refers to the proprietary Linn active crossovers and loudspeaker configuration, whereby the loudspeaker's internal passive crossover is effectively replaced with external AKTIV crossovers.

AKTIV or passive? In passive mode, the output from the power amplifier is passed through the passive crossover inside the loudspeaker. A portion of the signal's energy is used to drive the crossover circuitry and therefore is effectively lost. In an AKTIV system, on the other hand, the crossover circuitry is mains-powered which eliminates its reliance on the signal for its power and also allows advanced circuitry to be included. This allows the crossover to exert a much greater degree of control over the processing of the audio signal, providing a more precise audio output to the drive units and therefore resulting in significantly improved sonic performance, compared with passive operation.

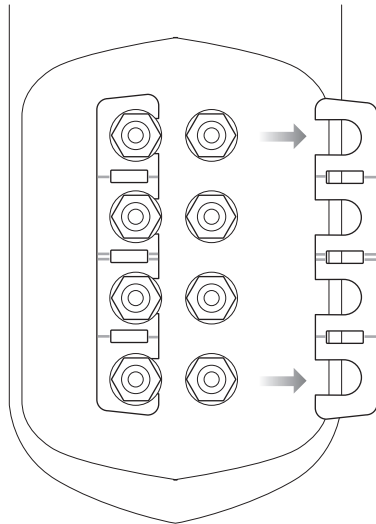
Important note:

AKTIV operation requires a modification to your loudspeakers and in some cases your amplifiers, which must be carried out by an Authorised Linn Retailer.

Link strip information

To remove / fit the link strips:

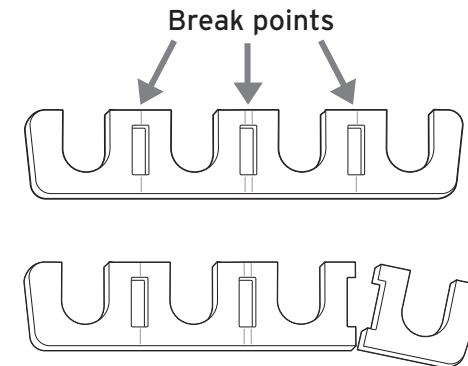
- Loosen the outer section of each binding post on one row of terminals (do not remove these posts completely).



- Slide the link strip outwards to remove.
- When refitting the strips, please ensure that they are fully and correctly inserted.
- Ensure that all the binding posts are tight (whether the strips are being refitted or not).
- Repeat the process for the second row.

To modify the link strips for multi-wiring or multi-amping applications:

- Remove the link strip from the loudspeaker, as explained above.
- Determine where you require to make the break (see multi-wiring / multi-amping options below for guidance).
- At one of the break-points (indicated) you can break the link by using a strong pair of snips, a small hacksaw or snap it at one of the break-points by carefully bending it back and forth with pliers.



- File down any sharp edges to prevent the possibility of injury.

Note:

If you will be using both sides of the separated link, ensure your break creates a definite gap in order to eradicate the possibility of the links accidentally re-connecting when fitted to the loudspeaker.

Important notes on using the link strips

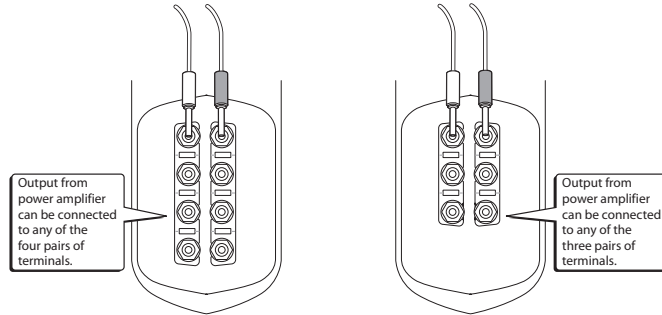
The configurations below are only suggestions - others are possible. If you are trying other setups, we would advise that you consult an Authorised Linn Retailer and please bear in mind the following points:

- Never use the strips to link positive (+) and negative (-) terminals together.
- When multi-amping, ensure that the link strips do not short-circuit amplifier channels together. Shorting the outputs of separate amplifier channels together can damage the amplifier(s) and loudspeaker drive units.
- Do not connect more than one strip per terminal.

Wiring / amping configurations

Single-wiring

Position of link strips if single-wiring (i.e. using a single cable from one power amplifier channel). No link adjustments or cuts are required.



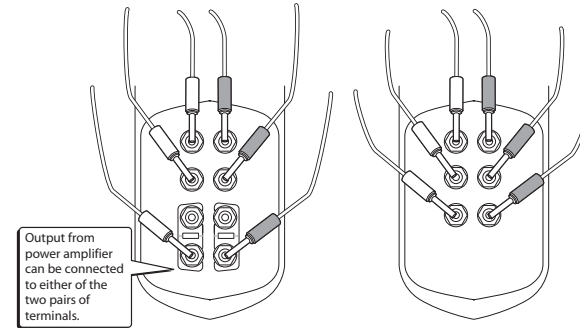
KOMPONENT 110 or 106

KOMPONENT 104

Tri-wiring or tri-amping

Suggested position of separated link strips if tri-wiring (i.e. using three cables from one power amplifier channel) or tri-amping (i.e. using three power amplifier channels).

Please note - link strips MUST be removed completely on KOMPONENT 104.

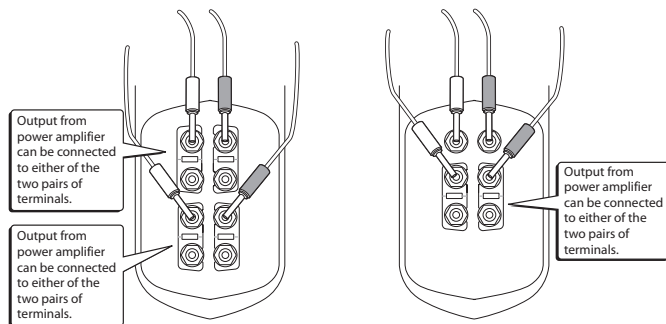


KOMPONENT 110 or 106

KOMPONENT 104

Bi-wiring or bi-amping

Suggested position of separated link strips if bi-wiring (i.e. using two cables from one power amplifier channel) or bi-amping (i.e. using two power amplifier channels).

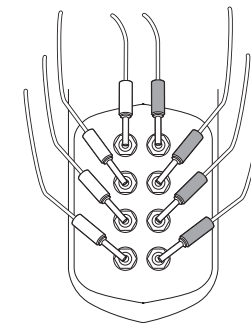


KOMPONENT 110 or 106

KOMPONENT 104

Quad-wiring or quad-amping (KOMPONENT 110 & 106)

Link strips MUST be removed when quad-wiring (i.e. using four cables from one power amplifier channel) or quad-amping (i.e. using four power amplifier channels).



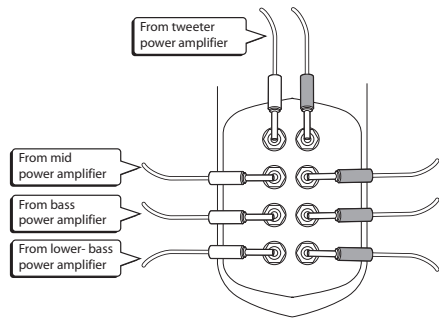
KOMPONENT 110 or 106

AKTIV configuration

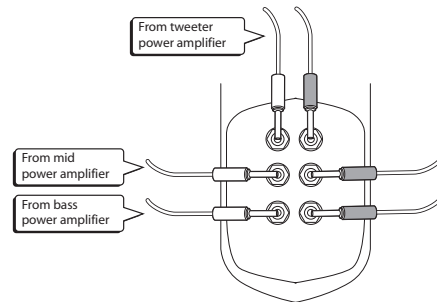
Important notes:

AKTIV operation requires a modification to your loudspeakers and in some cases, your amplifiers, which must be carried out by an Authorised Linn Retailer.

In AKTIV mode, please be very careful to connect all cables from the amplifier(s) to the correct sockets on the loudspeaker. Wrong connection could result in damage to your loudspeaker drive units and amplifier.



KOMPLEMENT 110 or 106



KOMPLEMENT 104